

# specifications

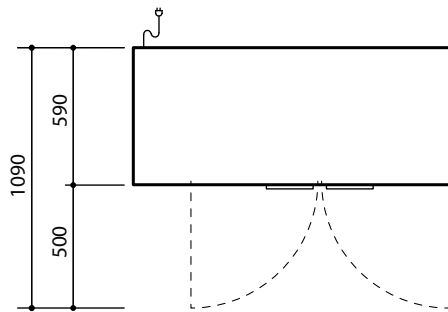
## BB380Xr-2SW

BackBar X, 2 Door (Glass), Remote, Fridge

### CABINET DIMENSIONS

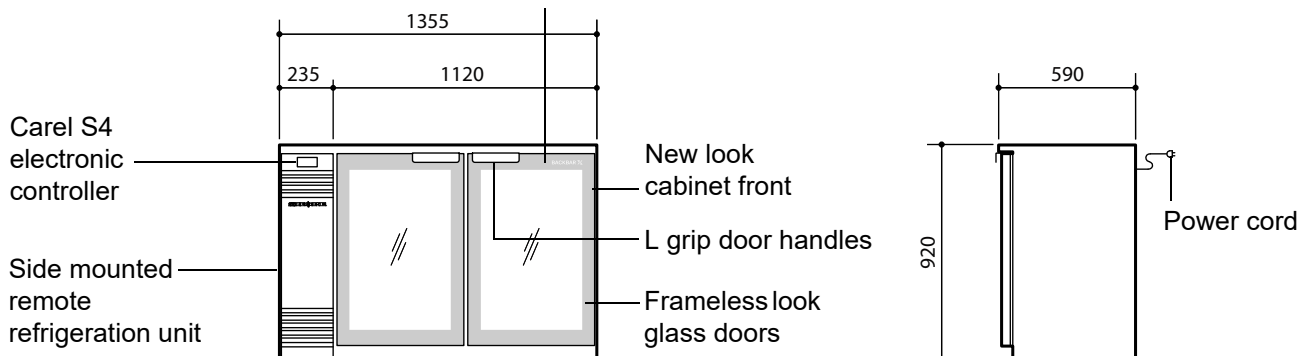
	External	Internal
<b>Height</b>	920mm*	758mm
<b>Width</b>	1355mm	1020mm
<b>Depth</b>	590mm	530mm
<b>Floor area</b>	0.8m <sup>2</sup>	
<b>Gross volume</b>	380L	

\* Height excludes castors, legs and optional worktop.



LED horizontal top light

*Height variation	
Supplied height adjustable castors	1015mm - 1030mm
Supplied height adjustable legs	1050mm - 1080mm
No castors or legs	920mm



### CABINET SPECIFICATIONS

<b>Doors</b>	2 × self-closing, double glazed, toughened, single Low-E safety glass, frameless look doors. Optional door locks.
<b>Internal door opening size</b>	2 door openings: 720mm high × 470mm wide
<b>Shelves</b>	Two adjustable height shelves per door: 495mm wide × 440mm deep
<b>Weight</b>	120kg
<b>Worktop (optional)</b>	Optional 25mm stainless steel worktop
<b>Electrical safety climate class</b>	5
<b>Internal lighting</b>	1 x 17W T8 Frosted LED Tube (Ø26 x 900mm, 5500K) - Switched
<b>Electrical</b>	220-240 Volts a.c. 50 Hz, single phase supply, 0.7 Amps (unit 0.1 Amps)
<b>Temperature range</b>	2°C to 4°C (product mass average)
<b>GEMS class</b>	M1
<b>GEMS energy consumption</b>	5.04 kWh/24h
<b>GEMS annual running cost</b>	\$552 p.a. (@ \$0.30/kWh)
<b>Refrigeration system</b>	Electronically controlled, side mounted, remote refrigeration unit (UE30ABR-100IC), with isolation switch
<b>Electronic controller</b>	Carel S4 Evo
<b>Refrigerant</b>	Thermostatic expansion valve fitted as standard to suit R134a or R404A
<b>Remote refrigeration duty</b>	480 Watts
<b>Drainage</b>	Evaporator drain fitted inside service compartment (requires plumbing)

SKOPE Industries Limited reserve the right to alter specifications without notice. Copyright © 2016 SKOPE Industries Limited

PSS0441 Rev. 3.0 Mar. 2021



**SKOPE INDUSTRIES LIMITED**

New Zealand Freephone: 0800 947 5673, Australian Freephone: 1800 121 535

Email: skope@skope.com Website: www.skope.com

