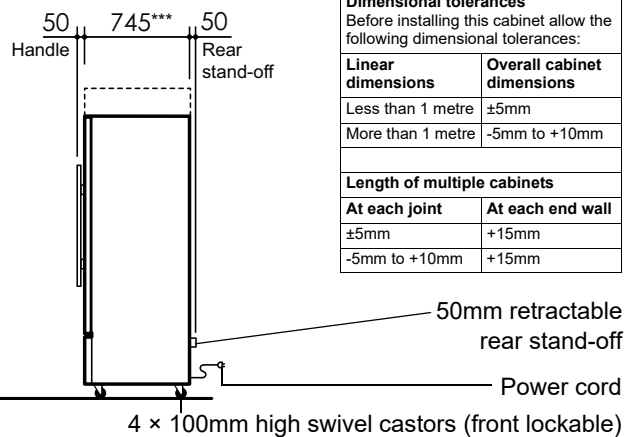
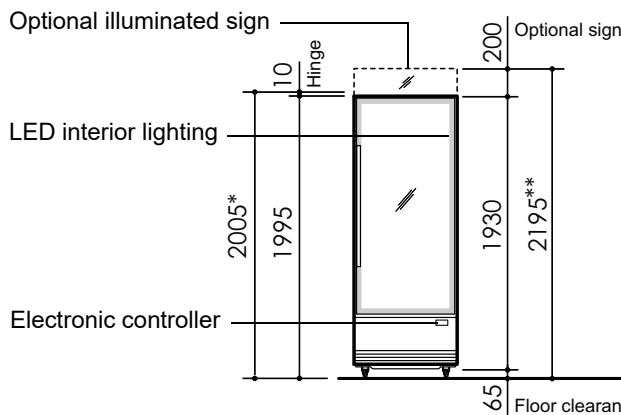
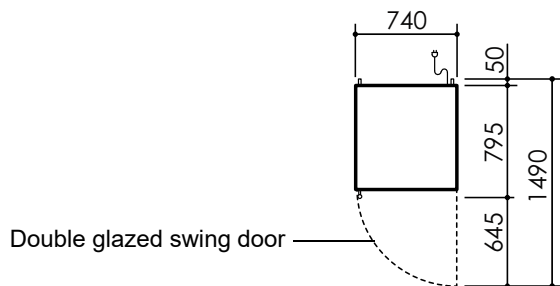


# specifications

## BME600-A Series

Bottom Mount ActiveCore  
One Door Upright Chiller



### CABINET DIMENSIONS

	External	Internal
Height:	2005mm* / 2195mm**	1454mm
Width:	740mm	640mm
Depth:	795mm	602mm
Floor area:	0.63m <sup>2</sup> (includes door handle)	

\* Height 2005mm without sign (model BME600-A)  
\*\* Height 2195mm with sign (model BME600-AC)  
\*\*\* Depth 745mm excludes removable door handle, door lock bracket and rear stand-off.

Dimensional tolerances	
Before installing this cabinet allow the following dimensional tolerances:	
Linear dimensions	Overall cabinet dimensions
Less than 1 metre	±5mm
More than 1 metre	-5mm to +10mm
Length of multiple cabinets	
At each joint	At each end wall
±5mm	+15mm
-5mm to +10mm	+15mm

Copyright © 2016 SKOPE Industries Limited

### GENERAL SPECIFICATIONS

Temperature range	1°C to 4°C (adjustable up to 15°C)
Climate class	5 (Tested at 43°C)
Door	Lockable, self-closing, reversible, double glazed, single Low-E, argon filled, toughened safety glass swing door (hinged RH)
Internal Volume	584 litres
Interior lighting	1 × 20W T8 LED tube (Ø26mm × 1350mm) RH side light
Power supply	220-240 Volts a.c. 50 Hz, single phase supply. Supplied with 10 Amp 3-Pin plug
Current draw	3.5 Amps (includes unit 2.9 Amps)
Refrigeration system	Removable ActiveCore bottom mount refrigeration unit (UBHCCI-0001)
Refrigerant	R134a / 380g
Nominal capacity	836 Watts
Controller	Carel S4 electronic controller
Drainage	No plumbing required
Weight	185 kg

### INDIVIDUAL SPECIFICATIONS

Model	BME600-A	BME600-AC
Part number	SM60GV	SM60BV
Sign	No sign	200mm high illuminated sign
Sign lighting	n.a.	1 × 11W T8 LED tube (Ø26mm × 600mm)
Shelves	4 × wire and 1 × stainless steel	5 × wire and 1 × stainless steel
	Wire shelves: Adjustable height, 625mm wide × 520mm deep	
	Stainless steel bottom shelf: Not adjustable, 625mm wide × 515mm deep	

SKOPE Industries Limited reserve the right to alter specifications without notice.

PSS0467 Rev. 3.0 Mar. 2018



**SKOPE INDUSTRIES LIMITED**

Australian Freephone: 1800 121 535, New Zealand Freephone: 0800 947 5673

Email: skope@skope.co.nz, Website: www.skope.com

