

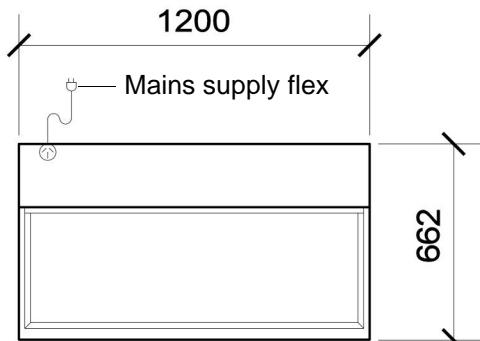
specifications

FDM1200a

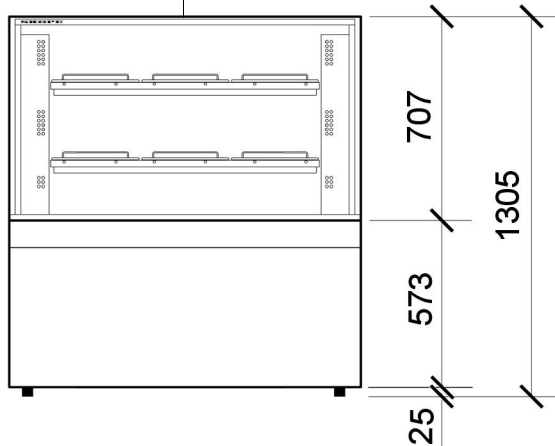
SKOPE Food Display Cabinet
AMBIENT Type: F1231

CABINET DIMENSIONS

	External	Internal
Height:	1305mm	800mm
Width:	1200mm	900mm
Depth:	662mm	600mm
Floor area:	0.79m ²	

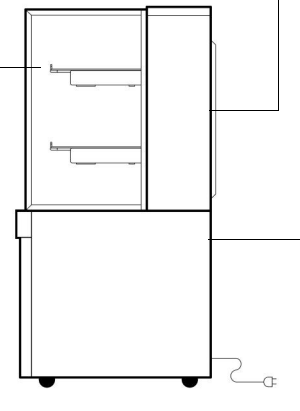


Glass front, sides and top



Sliding glass rear doors

Adjustable angle shelves



Air circulation fan and lighting on/off switches

Copyright © 2007 SKOPE Industries Limited

CABINET SPECIFICATIONS

Refrigeration system:	Ambient Food Display Refrigeration Unit
Refrigerant:	n.a.
Nominal capacity:	n.a.
Cabinet internal volume:	432 litres
Insulation:	50mm polyurethane foam
Cabinet temperature range:	n.a.
Drainage:	No plumbing required
Electrical:	220-240 Volts a.c. 50 Hz, single phase supply, 0.4 Amp
Internal lighting:	3 x 21 Watt T5 fluorescent tubes (Ø16mm x 850mm) Daylight 860
Rear doors:	2 double-glazed sliding doors with internal mirror finish
Internal door opening size:	2 rear door openings: 390mm wide x 630mm high
Shelves:	3 shelves (2 adjustable angle): 930mm wide x 440mm deep
Total weight:	135 kg

SKOPE Industries Limited reserve the right to alter specifications without notice.

Rev 3.0 Oct. 2009 edition



SKOPE INDUSTRIES LIMITED

New Zealand Freephone: 0800 947 5673, Fax: (03) 983 3896. Australian Freephone: 1800 121 535, Freefax: 1800 121 533

Email: enquiry@skope.co.nz Website: www.skope.co.nz

