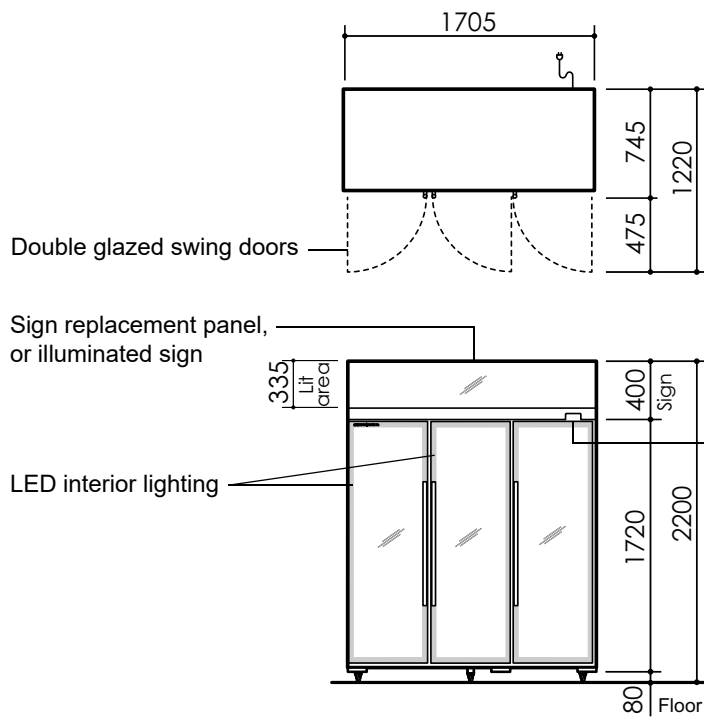


specifications

TME1500-A Series

Top Mount ActiveCore
Three Door Upright Chiller

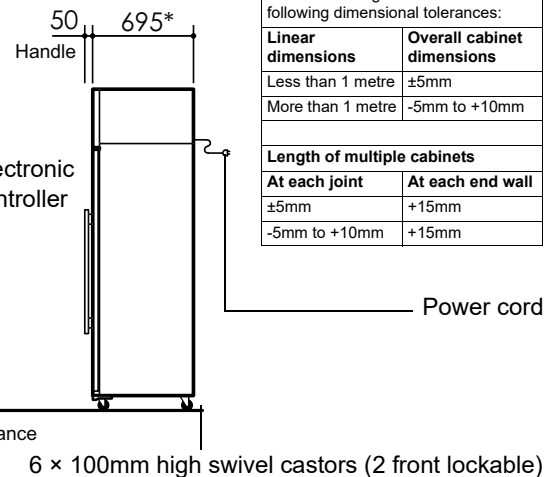


CABINET DIMENSIONS

	External	Internal
Height:	2200mm	1570mm
Width:	1705mm	1605mm
Depth:	745mm	554mm
Floor area:	1.27m ² (includes door handle)	

* Depth 695mm excludes removable door handle and door lock bracket.

Dimensional tolerances	
Before installing this cabinet allow the following dimensional tolerances:	
Linear dimensions	Overall cabinet dimensions
Less than 1 metre	±5mm
More than 1 metre	-5mm to +10mm
Length of multiple cabinets	
At each joint	At each end wall
±5mm	+15mm
-5mm to +10mm	+15mm



Copyright © 2016 SKOPE Industries Limited

GENERAL SPECIFICATIONS

Temperature range	1°C to 4°C (adjustable up to 15°C)
Climate class	5 (Tested at 43°C)
Doors	Lockable, self-closing, double glazed, single Low-E, argon filled, toughened safety glass swing doors (hinged LH, RH, RH)
Internal Volume	1497 litres
Interior lighting	2 x 22W T8 LED tube (Ø26mm x 1500mm) side lights and 1 x 20W (1400mm) LED module strip pillar light
Shelves	15 adjustable height wire shelves: 500 wide x 470 deep (5 each side), 570 wide x 470 deep (5 middle)
Power supply	220-240 Volts a.c. 50 Hz, single phase supply. Supplied with 10 Amp 3-Pin plug
Current draw	4.8 Amps (includes unit 4.0 Amps)
Refrigeration system	Removable ActiveCore top mount refrigeration unit (UTHCCI-0004)
Refrigerant	R134a / 475g
Nominal capacity	1000 Watts
Controller	Carel S4 electronic controller
Drainage	No plumbing required
Weight	320 kg

INDIVIDUAL SPECIFICATIONS

Model	TME1500-A	TME1500-AC
Part number	SM15GV	SM15BV
Sign	Sign replacement panel	400mm high illuminated sign
Sign lighting	n.a.	1 x 22W T8 LED tube (Ø26mm x 1500mm)

SKOPE Industries Limited reserve the right to alter specifications without notice.

PSS0472 Rev. 2.1 Mar. 2018



SKOPE INDUSTRIES LIMITED

Australian Freephone: 1800 121 535, New Zealand Freephone: 0800 947 5673

Email: skope@skope.co.nz, Website: www.skope.com

