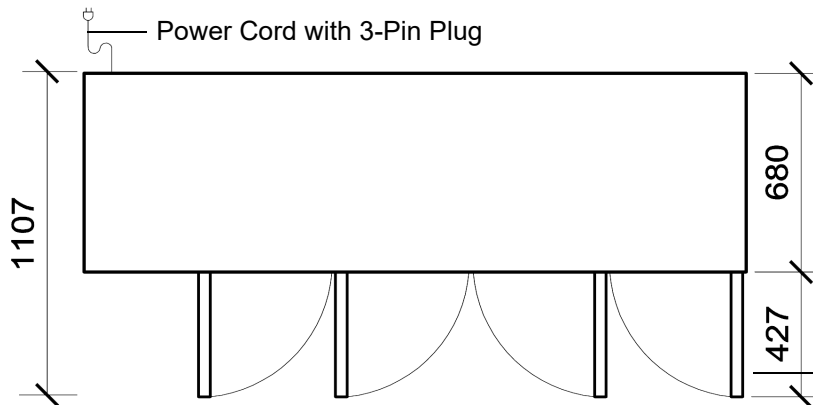


## PG550HC-2

Gen2 Pegasus Horizontal 1/1  
INTEGRAL, 4 Door, Fridge

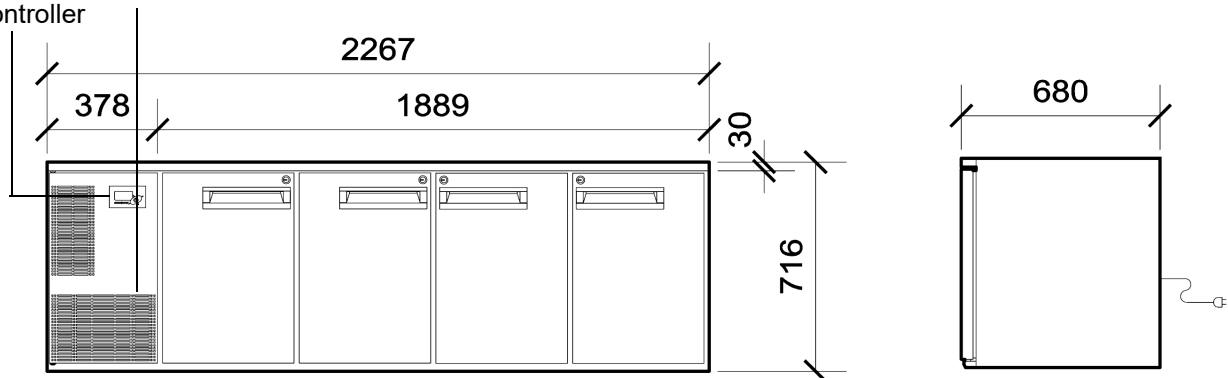


### CABINET DIMENSIONS

	External	Internal
<b>Height</b>	716mm*	570mm
<b>Width</b>	2267mm	1769mm
<b>Depth</b>	680mm	545mm
<b>Floor area</b>	1.54m <sup>2</sup>	
<b>Gross volume</b>	560L	
<b>Net volume</b>	308L	

\* Height excludes castors, legs or optional worktop.

Electronic Side Mounted Integral Refrigeration Unit  
Controller



### CABINET SPECIFICATIONS

<b>Doors</b>	Solid stainless steel, self-closing doors (with key lock) - LH & RH hinged
<b>Internal door opening size</b>	4 door openings: 570mm high x 365mm wide
<b>Shelves</b>	Two levels of non-tip, adjustable tray slides and/or shelves per door
<b>Worktop (optional)</b>	Optional 35mm stainless steel worktop with 65mm square edged fascia
<b>Weight</b>	160 kg
<b>Electrical safety climate class</b>	5
<b>Internal lighting</b>	2 x 5W T8 LED tubes (Ø26 x 360mm) - Door activated
<b>Electrical</b>	230-240 Volts a.c. 50 Hz, 3.24 Amps
<b>Temperature range</b>	+1°C to +4°C up to 40°C ambient
<b>GEMS class</b>	5M1
<b>GEMS energy consumption</b>	7.36 kWh/24h
<b>GEMS annual running cost</b>	\$806 p.a. (@ \$0.30/kWh)
<b>Refrigeration system</b>	Electronic controlled, side mounted, integral refrigeration unit
<b>Refrigerant</b>	R134a / 530g
<b>Nominal capacity</b>	534 Watts @ -10°C SST
<b>Insulation</b>	60mm thick, high density cyclo-isopentane polyurethane foam
<b>Drainage</b>	No plumbing required

SKOPE Industries Limited reserve the right to alter specifications without notice. Copyright © 2008 SKOPE Industries Limited

PSS0181 Rev. 3.1 Mar. 2021



**SKOPE INDUSTRIES LIMITED**

New Zealand Freephone: 0800 947 5673, Australian Freephone: 1800 121 535

Email: skope@skope.com Website: www.skope.com

