

specifications

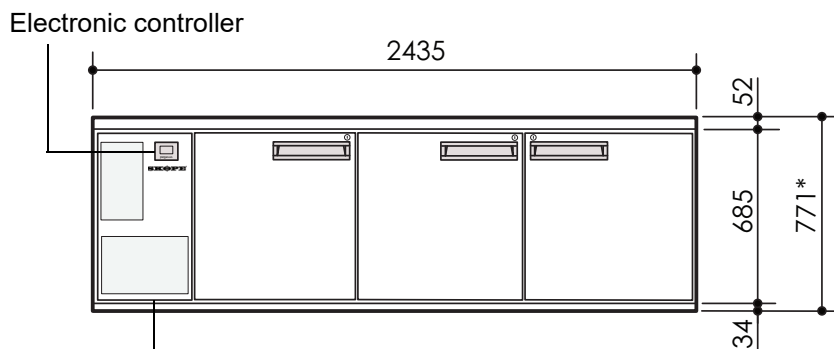
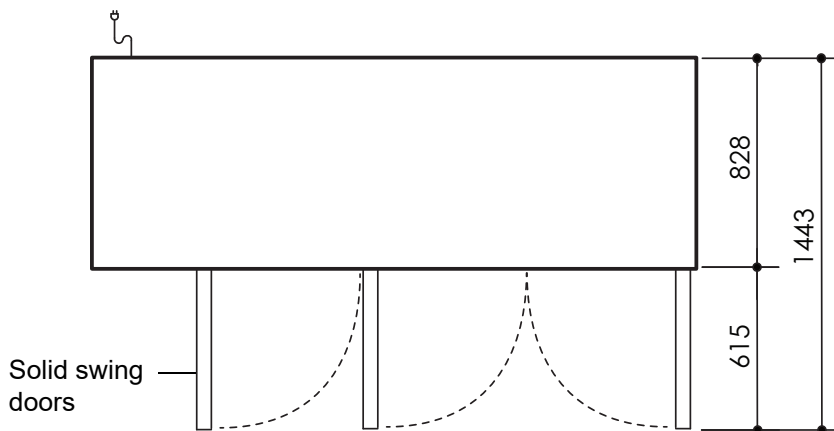
PG800HC

Pegasus Horizontal 2/1
INTEGRAL, 3 Door, Fridge

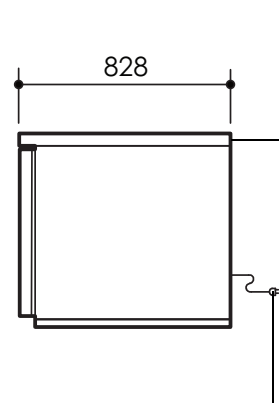
CABINET DIMENSIONS

	External	Internal
Height	771mm*	565mm
Width	2435mm	1935mm
Depth	828mm	650mm
Floor area	2.02m ²	
Gross volume	750L	
Net volume	426L	

* Height includes plinth and worktop (excludes castors and adjustable legs).



Pictured with optional 50mm stainless steel worktop



Side mounted integral refrigeration unit

Power cord with 3-Pin plug

CABINET SPECIFICATIONS

Door	Solid stainless steel, self-closing doors (with key lock) - LH, LH, RH hinged
Internal door opening size	3 door openings: 565mm high x 565mm wide
Shelves	Two levels of non-tip, adjustable tray slides and/or shelves per door
Worktop (optional)	Optional 50mm square edged stainless steel worktop
Weight	150 kg
Electrical safety climate class	5
Internal lighting	n.a.
Electrical	230-240 Volts a.c. 50 Hz, 3.67 Amps
Temperature range	+1°C to +4°C up to 40°C ambient
GEMS class	5M1
GEMS energy consumption	8.65 kWh/24h
GEMS annual running cost	\$948 p.a. (@ \$0.30/kWh)
Refrigeration system	Electronic controlled, side mounted, integral refrigeration unit
Refrigerant	R134a / 530g
Nominal capacity	599 Watts @ -10°C SST
Insulation	60mm thick, high density cyclo-isopentane polyurethane foam
Drainage	No plumbing required

SKOPE Industries Limited reserve the right to alter specifications without notice. Copyright © 2012 SKOPE Industries Limited

PSS0199 Rev 2.3 Mar. 2021



SKOPE INDUSTRIES LIMITED

New Zealand Freephone: 0800 947 5673, Australian Freephone: 1800 121 535

Email: skope@skope.com Website: www.skope.com

