

## One Glass Swing Door Upright Fridge with Lit Sign

**Range:** SK  
**SKOPE ID:** MT55BYN  
**Dimensions:** 570 mm (W) × 750 mm (D) × 2210 mm (H)  
**Capacity:** 410 L

**Project:** \_\_\_\_\_  
**Item #:** \_\_\_\_\_



A high-efficiency, top-mounted, heavy duty, 1-door display fridge suitable for front and back-of-house applications including restaurants, cafés, clubs, pubs, bars, quick service restaurants, and more. Made from powder-coated, galvanised steel, the cabinet comes complete with five plastic-coated wire shelves, which are easily adjustable via SKOPE's unique ezi-clip and numbered shelf supports. The "frameless" glass door provides maximum product viewing and is designed for condensation protection in most environments via the double-glazed, argon-filled, low-e insulated panels. The high-impact dimmable LED lights can be timed to turn on and off according to your opening times via the free SKOPE-connect smartphone app. An illuminated sign panel is included, with space to display your own branding. With M1 compliance, the cabinet is engineered to store food and drinks at a standard 1°C to 4°C (and is adjustable up to 15°C). It is certified under GEMS to the mandatory climate class 3 and is fully tested to operate in ambient environments of up to 40°C (climate class 5). The fridge uses R290 natural refrigerant for ultra-low energy consumption, low heat discharge, and low noise output. The top-mounted, fully removable, modular refrigeration cartridge can be easily removed in line with best practice for safe servicing of flammable refrigerants, as well as quick and efficient servicing times with minimal business disruption. The fridge includes a smart controller that connects to the free SKOPE-connect app, enabling you to set temperatures and alerts, monitor temperatures and energy, and more. The fridge is certified to all Australian and New Zealand refrigeration and electrical safety standards.



Warranty



ActiveCore Technology



Natural Refrigerant

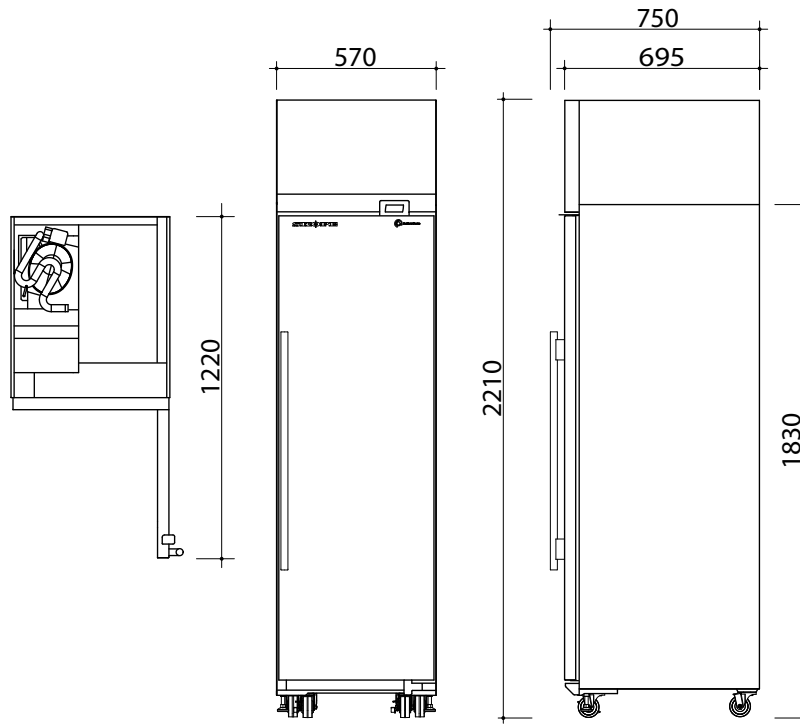


GEMS



SKOPE-connect





### Cabinet

<b>Type</b>	SKT Fridge		
<b>Finish</b>	Powder-coated galvanised steel		
<b>Insulation</b>	Type	PU foam	
	Thickness (mm)	50	
	Blowing Agent	Cyclo-iso pentane (C5H10/C5H12)	
<b>Doors</b>	Type	Glass swing door (double-glazed, low-e, argon-filled)	
	Opening Size	Height (mm)	1550
		Width (mm)	460
<b>Shelving</b>	Five wire shelves 5 x adjustable height shelf (445W x 475D)		
<b>Lighting</b>	Sign	1 x 24 V LED strip	
	Interior*	1 x 24 V LED strip light	

### Dimensions†

	External	Internal	Packed
<b>Width (mm)</b>	570	470	575
<b>Depth (mm)</b>	750	555	715
<b>Height (mm)</b>	2210 (castors)	1570	2205
<b>Weight (kg)</b>	139		140
<b>Capacity (L)</b>	410		
<b>Footprint (m<sup>2</sup>)</b>	0.43		

### Ventilation (mm)

Top	Sides	Rear
300	Not required	Not required

### Product Loading

Facing	330 ml can	30	600 ml bottle	30
<b>Loading</b>	330 ml can	210	600 ml bottle	180

### Dimensional Tolerances

† Allow for dimensional tolerances when installing the cabinet(s).

Linear dimensions	Single cabinet		Multiple cabinets	
			At each joint	At each end wall
Less than 1 metre	±5 mm		±5 mm	+15 mm
More than 1 metre	-5 mm to +10 mm		-5 mm to +10 mm	+15 mm

### Performance

<b>Product Temperature Range (°C)</b>	1 to 4 (adjustable* from 1 to 15)	
<b>Maximum Ambient Temperature (°C)</b>	40	
<b>Sound Power Level (dB(A))</b>	Standard	61
	Hush Mode*	59

### Greenhouse and Energy Minimum Standards (GEMS)

<b>Star Rating</b>	9
<b>Product Temperature Class</b>	M1 (-1 to 5°C)
<b>Total Energy Consumption</b>	1.88 kWh/24 h
<b>Annual Running Costs</b>	\$206 (@ \$0.30/kWh)

### Electrical

<b>Supply</b>	220-240 volts a.c., 50 Hz, single phase supply
<b>Cord</b>	2.5 power cord with 3-pin, 10 amp plug
<b>Current Draw (A)</b>	2.0

### Refrigeration

<b>Controller</b>	AoFrio SCS (SKOPE-connect™ compatible)		
<b>System Type</b>	Removable cartridge		
<b>Cartridge Weight (kg)</b>	30		
<b>Refrigerant/Charge</b>	R290/85 g		
<b>Nominal Capacity (W)</b>	547 (EN12900 MBP)		
<b>Heat Rejection (W)</b>	<b>Average</b>	80	<b>Peak</b> 110
<b>Defrost Type</b>	Automatic, off-cycle		
<b>Drainage</b>	No plumbing required		

\* Accessible via the free SKOPE-connect™ app.



SKT500N-AC  
on the SKOPE website