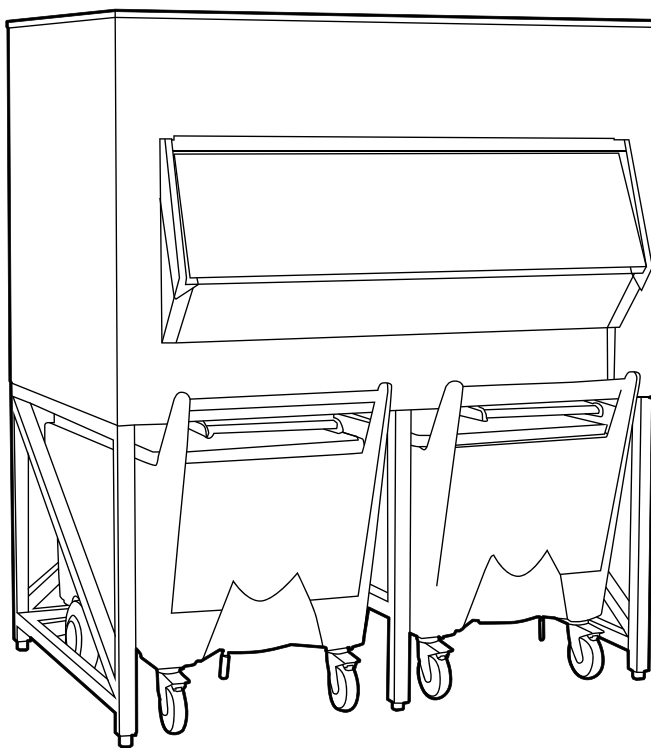


ICE STORAGE BIN WITH CART

USER MANUAL



EN
ES
FR
DE
PO
IT

TABLE OF CONTENTS

1| INTRODUCTION

1.1 Warnings

2| RECEIPT OF THE MACHINE

3| INSTALLATION

3.1 Unpacking

4| START-UP

4.1 Levelling the ice storage bin

4.2 Drain connection

4.3 Ice paddle holder assembly

5| OPERATION

5.1 Position the cart

5.2 Break and position the ice

5.3 Load the ice

5.4 Transport the ice

5.5 Ice removal

5.6 Water removal

6| MAINTENANCE AND CLEANING

6.1 Maintenance

6.2 Cleaning and maintenance of the ice storage bin interior

6.3 Cleaning of carts

6.4 Cleaning of stainless steel parts (body and gates)

THIS MANUAL IS PART OF THE PRODUCT. READ IT CAREFULLY IN ORDER TO USE AND MAINTAIN THE EQUIPMENT CORRECTLY. IT IS IMPORTANT TO KEEP IT FOR FUTURE TROUBLESHOOTING AND REFERENCE.

1| INTRODUCTION

This document describes the installation procedure for the ice storage bin in order to effortlessly store and dispense ice.

The instructions in this manual are applicable for the carts models.

These storage units are compatible with our ice makers and are suitable for all types of ice. The purpose of ice storage bins with carts is to store the ice produced to satisfy the establishment's needs easily and ergonomically for users.



Carts have been integrated to improve and make the transport of ice easier. They make it possible for users to transport ice to the desired location comfortably and with minimal effort.

1.1 WARNINGS

- Before installing and operating the machine, please read this manual carefully and follow the instructions herein to ensure proper installation and smooth operation.
- It is important to keep this manual for future reference.
- Any use of the product which is not for the storage and transport of ice will be considered as inappropriate.
- Modifying or attempting to modify this product, apart from voiding the warranty, is extremely dangerous.
- To ensure the efficiency and proper operation of this product, it is vital to follow the instructions in this manual, particularly with regard to maintenance and cleaning.
- Do not attempt to repair it yourself. Any work by unqualified persons, apart from being dangerous, can result in damage to the product. In case of a malfunction, contact your distributor. It is advisable to always demand original spare parts.
- The machine should not be used in the open air or exposed to the rain.
- This product is not designed for use by persons (including children) with impaired physical, sensory or mental capacities, or who lack experience or knowledge, except if they have had supervision or instruction in the use of the device from a person responsible for their safety. Children should be supervised to ensure that they do not play with the device.

2| RECEIPT OF THE MACHINE

Visually inspect packaging before removing it. In case you see any damage, make the pertinent report to the transport company.

To check whether the machine has been damaged, UNPACK IT IN THE PRESENCE OF THE HAULIER and make a record—on the delivery receipt or on a separate document—of any damage that the machine may have suffered. Since 1 May 1998, the company has complied with European regulations on the management of Packaging and Packaging Waste.

It is important to always record the machine and model number. This number is marked in three places:

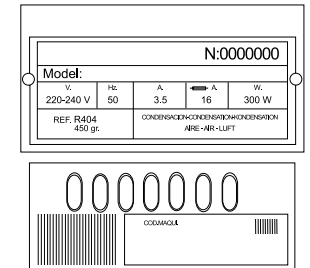
Packaging

There is an external label with the manufacturer's serial number.

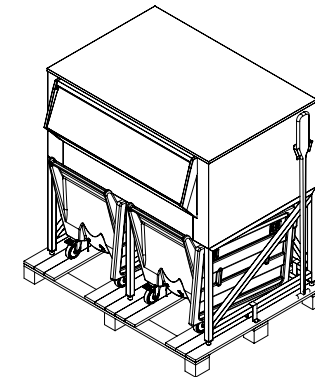
Exterior of the machine

On the back, on a label that is identical to the front.

Name plate



CAUTION: THE PACKAGING ITEMS (plastic bags, cardboard boxes and wooden pallets), MUST NOT BE LEFT WITHIN REACH OF CHILDREN AS THEY ARE A POTENTIAL SOURCE OF DANGER.



3| INSTALLATION

3.1 UNPACKING

To unpack the product, it is advisable to follow the steps below:

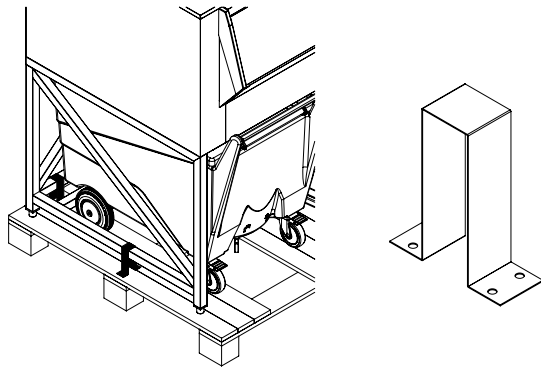
1. Cut away the plastic packaging.
2. Remove the corner protectors. To do this, cut the straps holding them and take out the ice paddle found on top of the carts.

3. Cut the adhesive strips holding the carts, and take out the carts from under the ice storage bin. The wheels of the cart should have been previously unlocked.
4. Open the lids of the carts and check that there are two bags inside with items within them.



Note: The items that should be inside the bags are: two ice scoops to get ice, a drain hose and this manual.

5. Remove the fasteners securing the ice storage bin to the pallet. There is one on each side and two at the back.



6. Move the ice storage bin off the pallet and put it in its place.
7. Remove the protective plastic film adhesive from the sheet metal.

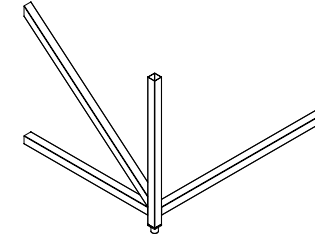
Once unpacked, check that all items are present:

- Ice storage bin
- Two carts
- One large ice paddle and two small ice scoops
- Ice paddle holder
- Drain hose

4| START-UP

4.1 LEVELLING THE ICE STORAGE BIN

To level the ice storage bin, use the adjustable legs.



Note: The legs should not exceed a total height of 54 mm.

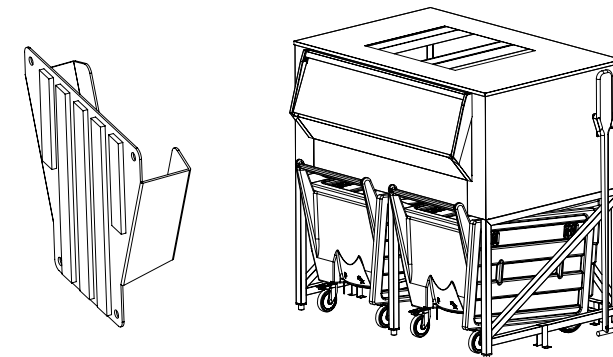
4.2 DRAIN CONNECTION

The connection for the drain hose of the ice storage bin is found at the bottom of the back. The drain hose found inside the cart should be connected to it.



Place the bent end onto the connection at the bottom of the ice storage bin by force-fitting. The other part will go to an outside drain.

4.3 ICE PADDLE HOLDER ASSE



To attach the ice paddle holder, follow the instructions below:

1. Clean the area where the ice paddle holder will be placed thoroughly. Afterwards, dry this area properly.
2. Remove the liner from the adhesive tape.
3. Position it in the desired location and press firmly.

5| OPERATION

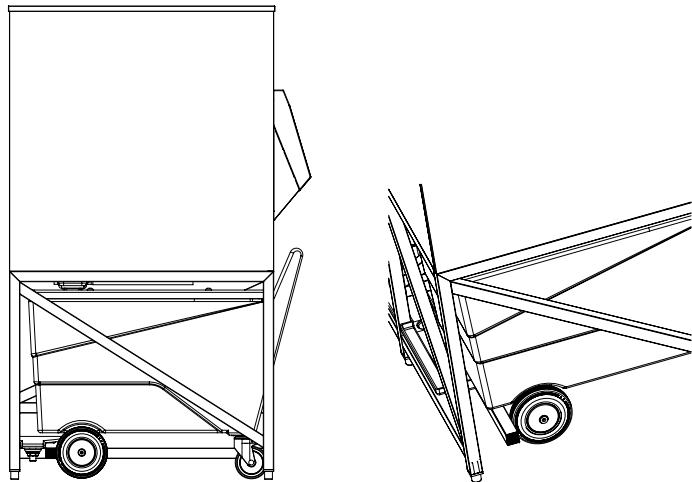
Ice is accumulated inside the ice storage bin, where it is stored until it is taken out. Removal is done by following the steps below:

1. Position the cart.
2. Break the ice.
3. Load the ice into the cart.
4. Transport the ice.
5. Ice removal.
6. Water removal.

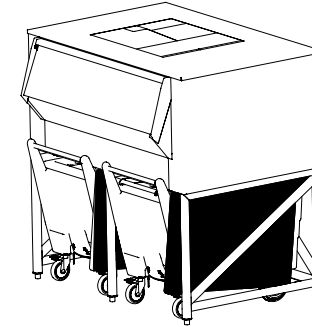
5.1 POSITION THE CART

First, check that the lid has been taken off from the cart.

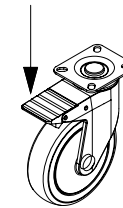
With the lid off, place the cart under the ice storage bin. Check that the cart is pushed all the way to the very end. Its front wheels should touch a tube as shown in the figure.



Then, place the lid on the side of the ice storage bin as shown below.



Immediately after, lock the wheels of the cart. To do this, lower the levers on the rear wheels of the cart. Use your foot to press the levers down.



5.2 BREAK AND POSITION THE ICE

If the ice has been stored for a long time and it becomes compressed, it will be necessary to break the ice. If there is a small amount of ice left, it will be necessary to position the ice at the door.

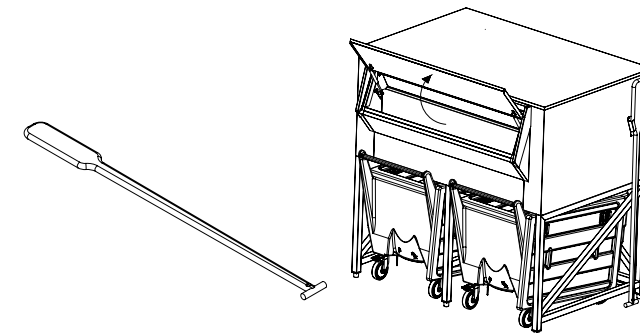
1. Break the ice

When the ice has been stored for a certain time, it is possible that it may clump together. Hit the ice with the ice paddle to shake it loose.

2. Position the ice

When there is only a little ice, it is possible that it is not located at the gate, which means that when the gate opens, not all the ice will fall out.

Use the long ice paddle to move the ice to the desired location, so that all of it will fall out.

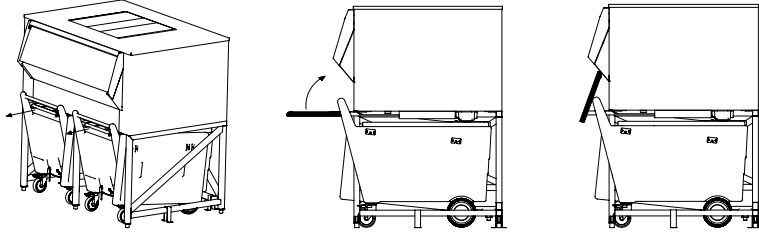


To do this, it is necessary to lift the door in front of the ice storage bin.

5.3 LOAD THE ICE

Once the cart has been placed under the ice storage bin properly, pull the handle of the gate towards you as far as it will go.

Once the handle has been pulled out as far as possible, flip it up and lean it against the ice storage bin. The ice will immediately fall into the cart.

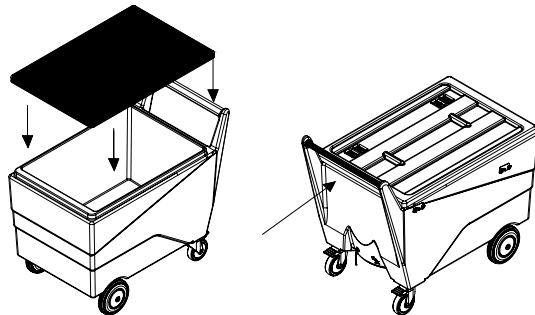


Once the cart is full enough, place the gate back in its original position, cutting off access for the ice. To do this, lower the handle and push the gate back inside as far as it will go.

5.4 TRANSPORT THE ICE

First, we have to close the drain of the cart by pressing the handle that is in the bottom. Then, we have to remove the brakes on the wheels, lifting them with your foot. In addition, it is necessary to close off the drain on the cart which is found at the bottom of it, to keep water from leaking out while the cart is moving.

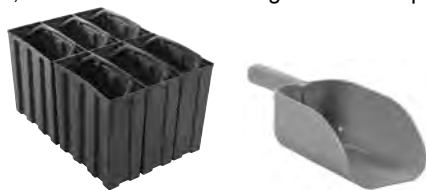
Pull the cart handle and take out the cart from under the ice storage bin.



Place the lid on the cart, to better preserve the ice during transport. With the lid on, the cart is ready to transport the ice.

5.5 ICE REMOVAL

Once the cart has been placed in the desired location, the ice is taken out using the ice scoop or



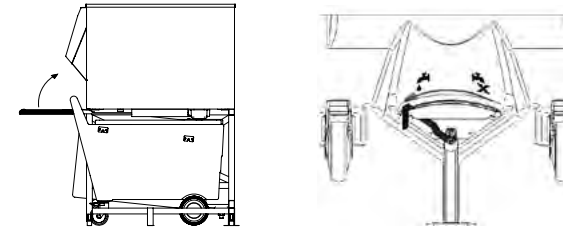
buckets that came with the ice storage bin.

5.6 WATER REMOVAL

The cart has a drain to evacuate the water which comes from the ice melt in the cart, to better preserve the ice.

To empty the cart, it is advisable to place it under the ice storage bin.

Once in place, there is a manual valve at the bottom of the cart. Open this valve to let the water flow



out. The water will go to the lower drain tray of the ice storage bin.

It is recommended to leave the handle in "open" position, i.e., with the drain connected, whenever the cart is under the bin.

6| MAINTENANCE AND CLEANING

CAUTION: MAINTENANCE AND CLEANING, AS WELL AS MALFUNCTIONS THAT RESULT FROM NOT CARRYING THEM OUT, ARE NOT COVERED BY THE WARRANTY.

Maintenance and cleaning intervals depend on the conditions of the premises where the machine is installed, water quality and time of use.

6.1 MAINTENANCE

- To maintain proper hygiene, this ice storage bin **needs to be cleaned** quarterly both externally and internally, including the underside of the cover of the bin.
- The cover of the bin has a detachable front part that enables its removal to facilitate access for interior cleaning.
- Rinse afterwards with plenty of water. A pressure hose is recommended.
- If maintenance is not performed periodically, a significant amount of dirt can accumulate in the bin and even start to cause corrosion.

6.2 CLEANING AND MAINTENANCE OF THE ICE STORAGE BIN INTERIOR

- The ice storage bin interior should be cleaned and disinfected before use, and it should be cleaned regularly while in use.
- The ice storage bin interior is fitted with polyethylene-lined walls, which should be cleaned and disinfected periodically using a product suitable for food-contact areas.

6.3 CLEANING OF CARTS

- The cart interior should be cleaned and disinfected using an approved cleaning product, and it should be cleaned regularly while in use.

6.4 CLEANING OF STAINLESS STEEL PARTS (BODY AND GATES)

- Stainless steel surfaces can be cleaned using a special stainless steel cleaner.
- Remove the protective plastic film adhesive for stainless steel equipment immediately. If left in place, the plastic will crack over time and products and grease—which are damaging to stainless steel—will accumulate.
- Do not use abrasive cleaners or metal scourers that are NOT SUITABLE for stainless steel.
- When using special stainless steel cleaners, always follow the manufacturer's instructions, and rinse off the treated area with plenty of water and dry it off properly.

CLEANING TIPS:

- Keep the ice paddle clean and in good condition to prevent contamination of the ice.
- Do not use metal or abrasive scourers.
- Follow the direction of the polish lines (if any). Making circles with the scourer could damage the appearance of the surface.
- The formation of limescale, salt or grease deposits, among others, can also cause corrosion.
- Clean regularly. It is easier to remove stains before they dry out. They can attack stainless steel.
- Keep the use of metal scourers to a minimum and make the use of cloths on glossy surfaces mandatory.

PRODUCTS THAT MUST NOT COME INTO CONTACT WITH STAINLESS STEEL:

- Concentrated and/or hot bleach.
- Concentrated or hot disinfectants.
- Hydrochloric acid (descaling of tiles) despite being diluted or cold.
- Steel brushes or metal scourers, particularly those made of stainless steel.
- Any other product that attacks steel or the plastic of the interior.

ÍNDICE

1| INTRODUCCIÓN

- 1.1 Advertencias

2| RECEPCIÓN DE LA MÁQUINA

3| INSTALACIÓN

- 3.1 Desembalaje

4| PUESTA EN MARCHA

- 4.1 Nivelar el silo
- 4.2 Conexión del desagüe
- 4.3 Montaje del soporte para la pala

5| FUNCIONAMIENTO

- 5.1 Posicionar el carro
- 5.2 Romper el hielo
- 5.3 Cargar el hielo en el carro
- 5.4 Transporte del hielo
- 5.5 Extracción del hielo
- 5.6 Extracción del agua

6| MANTENIMIENTO Y LIMPIEZA

- 6.1 Mantenimiento
- 6.2 Limpieza y mantenimiento del interior del silo
- 6.3 Limpieza de los carros
- 6.4 Limpieza de las partes de acero inoxidable (carrocería y tajaderas)

ESTE MANUAL FORMA PARTE DEL PRODUCTO. LEA DETENIDAMENTE ESTE DOCUMENTO PARA UN CORRECTO USO Y MANTENIMIENTO DEL EQUIPO. ES IMPORTANTE SU CONSERVACIÓN PARA POSIBLES CONSULTAS POSTERIORES.

1| INTRODUCCIÓN

En el presente documento se describirá el proceso de instalación del silo para el almacenamiento de hielo y reparto sin esfuerzo.

Los modelos que cumplen con las instrucciones de este manual son los silos con carro.

Estos almacenes son compatibles con nuestras máquinas de hielo, y sirven para todo tipo de hielo. La misión del silo con carros es almacenar la producción de hielo para satisfacer la necesidad del local de una forma fácil y ergonómica para los usuarios.



Para mejorar y facilitar el transporte de hielo, se han incorporado carros. Esto hace que el usuario pueda transportar con comodidad y con el mínimo esfuerzo el hielo hasta el lugar deseado.

1.1 ADVERTENCIAS

- Antes de su instalación y funcionamiento lea y siga detalladamente el manual para asegurarse una correcta instalación y buen funcionamiento.
- Es importante la conservación del documento para posibles consultas posteriores.
- Cualquier utilización del producto que no sea para almacén y transporte de hielo será considerada como inadecuado.
- Modificar o tratar de modificar este producto, además de anular cualquier tipo de garantía, es extremadamente peligroso.
- Para garantizar la eficiencia de este producto y su correcto funcionamiento, es imprescindible ceñirse a las indicaciones del manual, sobre todo en lo que concierne a las operaciones de mantenimiento y limpieza.
- No tratar de repararlo por uno mismo. La intervención de personas no cualificadas, además de ser peligrosa, pueda causar desperfectos al producto. En caso de avería, contactar con su distribuidor. Se recomienda exigir siempre repuestos originales.
- No debe ser utilizado al aire libre ni expuesto a la lluvia.
- Este producto no está destinado para ser utilizado por personas (incluidos niños) cuyas capacidades físicas, sensoriales o mentales estén reducidas, o carezcan de experiencia o conocimiento, salvo si han tenido supervisión o instrucciones relativas al uso del aparato por una persona responsable de su seguridad. Los niños deberían ser supervisados para asegurar que no juegan con el aparato.

2| RECEPCIÓN DE LA MÁQUINA

Inspeccionar visualmente el embalaje antes de quitarlo, en caso de apreciar cualquier desperfecto realizar la oportuna reclamación a la agencia de transporte.

Desembalar la máquina en PRESENCIA DEL TRANSPORTISTA, si se aprecia el mínimo daño en el producto, hay que notificarlo en el documento de recepción del producto y comunicar el daño al servicio técnico (SERVICE) de la compañía. Además, en el documento de recepción, o en un escrito aparte, dejar constancia de los daños que pueda tener el producto.

Importante hacer constar siempre el número de la máquina y modelo. Este número está impreso en tres lugares:

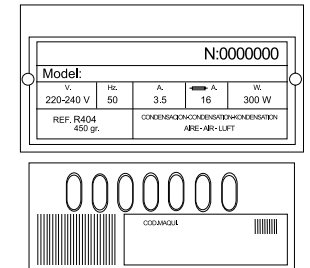
Embalaje

Exteriormente lleva una etiqueta con el número de fabricación.

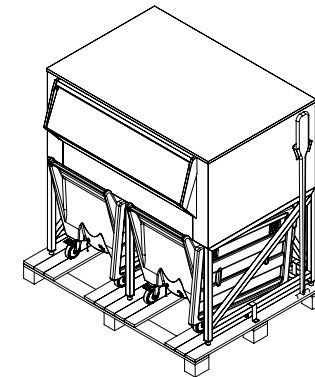
Exterior aparato

En la parte trasera, en una etiqueta igual a la anterior.

Placa de características



ATENCIÓN: TODOS LOS ELEMENTOS DEL EMBALAJE (bolsas de plástico, cajas de cartón y palets de madera), NO DEBEN SER DEJADOS AL ALCANCE DE LOS NIÑOS POR SER UNA POTENCIAL FUENTE DE PELIGRO.



3| INSTALACIÓN

3.1 DESEMBALAJE

Para desembalar el producto se recomienda seguir los siguientes pasos:

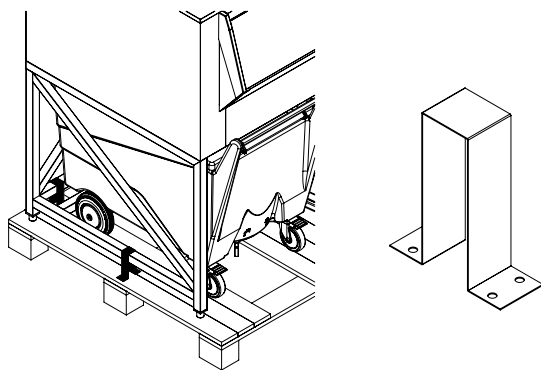
1. Cortar los plásticos de embalaje.
2. Quitar las cantoneras de protección, para ello corte las cintas que las sujetan y quitar la pala de la parte superior de los carros.

3. Cortar las cintas adhesivas que sujetan los carros, y retirar los carros de debajo del silo, anteriormente, desbloquear las ruedas del carro.
4. Abrir las tapas de los carros y comprobar que existen dos bolsas en el interior con componentes dentro.



Nota: Los componentes que deben estar en las bolsas son: dos palas para extraer el hielo, un tubo de desagüe y este manual.

5. Quitar sujeción del silo con el pallet. Hay uno en cada uno de los laterales y dos en la parte trasera.



6. Desplazar el silo fuera del pallet y colocarlo en su lugar.
7. Quitar las protecciones de las chapas.

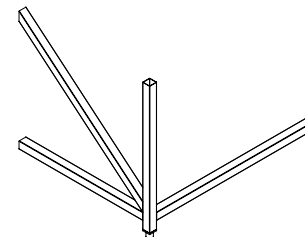
Una vez desembalado, comprobar que existen todos los componentes:

- Silo
- Dos carros
- Una pala grande y dos pequeñas
- Soporte de la pala
- Tubo desagüe

4| PUESTA EN MARCHA

4.1 NIVELAR EL SILO

Para nivelar el silo se utilizan las patas regulables.



Nota: Las patas no deben sobrepasar una altura total de 54mm.

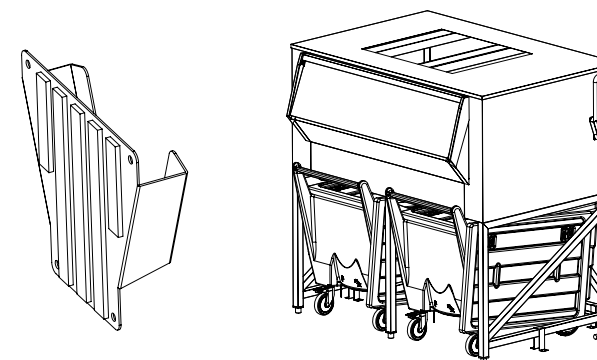
4.2 CONEXIÓN DEL DESAGÜE

En la parte inferior trasera del silo se encuentra la conexión del tubo de desagüe del silo. En ella hay que conectar el tubo que desagüe que había dentro de un carro.



Colocar la parte acodada en la conexión del inferior del silo a presión. La otra parte irá a un desagüe exterior.

4.3 MONTAJE SOPORTE PALA



Para fijar el soporte de la pala se han de seguir las siguientes instrucciones:

1. Limpiar bien la zona donde va a ser colocada la pala, posteriormente secar esta zona.
2. Retirar el protector de la cinta adhesiva.
3. Posicionar en la zona deseada y presionar.

5| FUNCIONAMIENTO

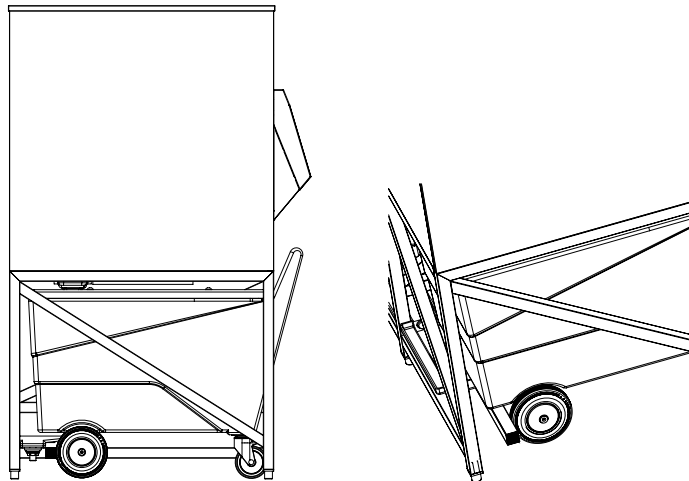
El hielo se acumula en el silo, donde permanecerá almacenado hasta que se produzca la extracción. La extracción se realiza siguiendo la siguiente secuencia:

1. Posicionar el carro.
2. Romper el hielo.
3. Cargar el hielo en el carro.
4. Transporte del hielo.
5. Extracción del hielo.
6. Extracción del agua.

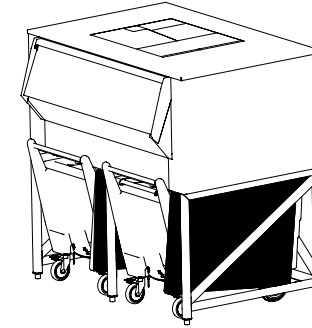
5.1 POSICIONAR EL CARRO

Primeramente, se comprueba que en el carro esté la tapa quitada.

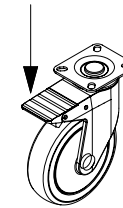
Con la tapa quitada, colocar el carrito debajo del silo. Comprobar que el carro hace tope con el fondo. Las ruedas delanteras tocarán con un tubo como se muestra en la imagen.



Posteriormente, colocar la tapa en el lateral del silo como se muestra en la siguiente figura.



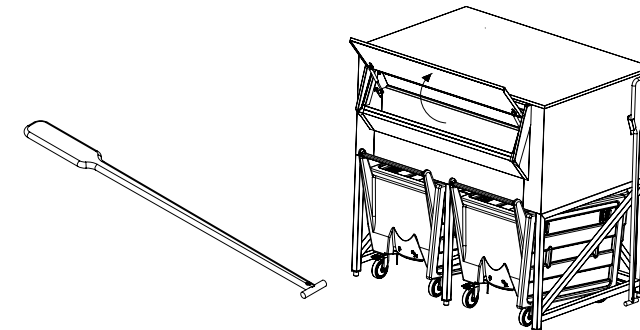
Acto seguido, bloquear las ruedas del carro. Para ello, hay que bajar las palancas de las ruedas traseras del carro, utilizar los pies para bajar las palancas.



5.2 ROMPER Y POSICIONAR EL HIELO

Este paso no tiene por qué ser necesario. Sí que lo es en caso de que el hielo esté acumulado durante un tiempo. O en caso de quedar poca cantidad de hielo, será necesario posicionar el hielo en la compuerta.

1. **Romper el hielo**
Cuando el hielo se encuentra cierto tiempo acumulado, es posible que el hielo se apelmace.
2. **Posicionar el hielo**
Colocar el hielo en la tajadera. Cuando quede poco hielo puede que este no esté situado en la tajadera, esto que cuando se abra la tajadera no caería todo el hielo. Para que caiga todo se utiliza la pala larga ubicando el hielo en la zona deseada.

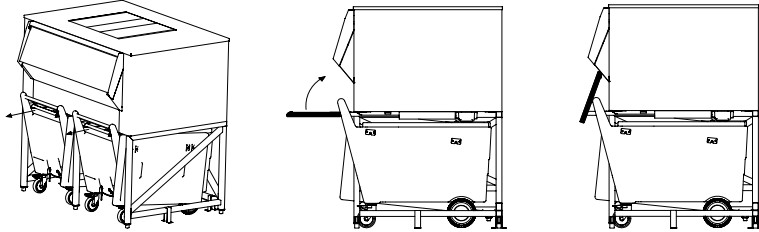


Para estas dos acciones, es necesario subir la puerta del frente del silo.

5.3 CARGAR EL HIELO

Una vez colocado el carro debajo del silo de forma correcta, tirar del asa del tirador para desplazar la tajadora hacia fuera hasta hacer tope.

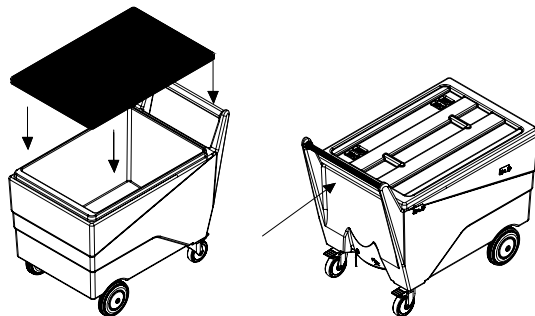
Una vez se haga tope el asa se girar y apoyar en el silo. Inmediatamente caerá el hielo en el carro.



Cuando se considere que el carro está suficientemente lleno, se colocará la tajadora en su posición original, cerrando así el paso del hielo. Para ello, habrá que bajar el asa y empujar la tajadora hacia el interior hasta que haga tope.

5.4 TRANSPORTE DEL HIELO

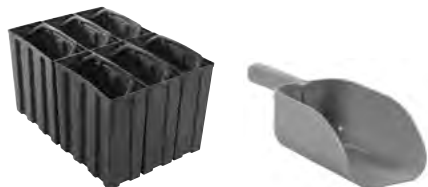
Primeramente, hay que cerrar el desagüe del carro accionando la maneta que está en la parte inferior. Quitar el freno de las ruedas, subiendo con el pie. Estirar del mango del carro y sacar el carro del silo.



Poner la tapa del carro, para una mejor conservación del hielo durante el tiempo de transporte. Con la tapa puesta el carro estará dispuesto para el transporte de hielo.

5.5 EXTRACCIÓN DEL HIELO

Una vez se ha situado el carro en el lugar correspondiente, se extrae el hielo mediante las palas o cesta que se han entregado con el silo.

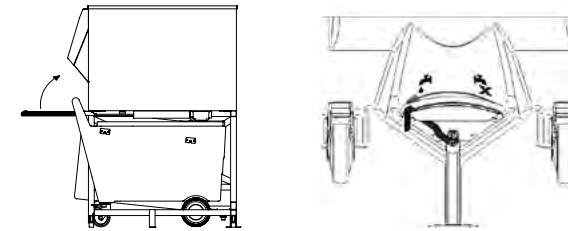


5.6 EXTRACCIÓN DEL AGUA

El carro dispone de un desagüe para evacuar el agua que proviene del hielo que se ha fundido en el carro, para una mejor conservación del hielo.

Para vaciar el carro es recomendable introducirlo bajo del silo.

Una vez en su sitio, en la parte inferior del carro hay una válvula manual. Esta válvula hay que abrirla y dejará pasar el agua. El agua se dirigirá a la bandeja desagüe inferior del silo.



Se recomienda dejar la maneta en posición "abierto", es decir, con el desagüe conectado, siempre que el carro se encuentre debajo del silo.

6| MANTENIMIENTO Y LIMPIEZA

ATENCIÓN: LAS OPERACIONES DE MANTENIMIENTO Y LIPIEZA, Y LAS AVERÍAS PRODUCIDAS POR SU OMISIÓN NO ESTÁN INCLUIDAS EN LA GARANTÍA.

Los intervalos de mantenimiento y limpieza dependen de las condiciones del local de emplazamiento, de la calidad del agua y del tiempo de uso.

6.1 MANTENIMIENTO

- Para mantener una correcta higiene, este silo de almacenamiento de hielo **requiere ser limpiado trimestralmente** por su parte externa y sobretodo interna, incluida la parte inferior de la tapa del silo.
- La tapa del silo tiene una parte delantera desmontable que permite su retirada para facilitar el acceso a la limpieza interior.
- Enjuagar posteriormente con abundante agua. Una manguera a presión es recomendable.
- En caso de no realizarse periódicamente el mantenimiento, la suciedad puede acumularse en el silo de manera importante e incluso iniciarse un proceso de corrosión.

6.2 LIMPIEZA Y MANTENIMIENTO DEL INTERIOR DEL SILO

- El interior del silo debe limpiarse y desinfectarse antes de su uso, y debe limpiarse de forma regular durante su uso.

- El interior del silo está equipado con paredes revestidas de polietileno, que deben de limpiarse y desinfectarse periódicamente con un producto adecuado para zonas de uso alimentario.

6.3 LIMPIEZA DE LOS CARROS

- El interior del carro debe limpiarse y desinfectarse con un producto de limpieza autorizado, y debe limpiarse de forma regular durante su uso.

6.4 LIMPIEZA DE LAS PARTES DE ACERO INOXIDABLE (CARROCERÍA Y TAJADERAS)

- Las superficies de acero inoxidable pueden limpiarse con un producto de limpieza para acero inoxidable.
- Debe quitarse inmediatamente el plástico protector a los muebles de acero inoxidable, si no se quita a la larga se agrietará el plástico y se acumularán productos o grasas que estropeen el acero.
- No utilizar detergentes abrasivos ni esponjas metálicas NO APTAS para el acero inoxidable.
- Al usar los productos para la limpieza del acero, siempre seguir las indicaciones del fabricante, así como una vez usado aclarar con abundante agua y secar la zona tratada.

CONSEJOS DE LIMPIEZA:

- Mantener la pala limpia y en buen estado para evitar la contaminación del hielo.
- No utilizar estropajos metálicos o abrasivos
- Seguir el sentido del pulido (si lo hay), hacer círculos con el estropajo puede dañar el aspecto de la superficie.
- La formación de posos de cal, sal, o grasa, entre otros, también son causa de corrosión
- Limpiar regularmente. Es más fácil eliminar las manchas antes de que estén secas y puedan atacar el acero inoxidable.
- Limitar estrictamente al mínimo el uso de esponjas metálicas y utilizar obligatoriamente paños sobre superficies brillantes.

PRODUCTOS QUE NO DEBEN ENTRAR EN CONTACTO CON EL INOXIDABLE:

- La lejía concentrada y/o caliente.
- Los productos de desinfección concentrados o calientes.
- El ácido clorhídrico (decapado de baldosas) aunque este diluido o frío.
- Los cepillos o esponjas metálicas, en particular los de acero.
- Cualquier otro producto que ataque al acero o al plástico interior.

SOMMAIRE

1| INTRODUCTION

- 1.1 Advertisements

2| RECEPTION DE LA MACHINE

3| INSTALLATION

- 3.1 Déballage

4| MISE EN MARCHÉ

- 4.1 Mise à niveau du Silo
- 4.2 Branchement de la vidange
- 4.3 Montage du support de pelle

5| FONCTIONNEMENT

- 5.1 Positionnement du chariot
- 5.2 Cassage de la glace
- 5.3 Chargement de la glace dans le chariot
- 5.4 Transport de la glace
- 5.5 Extraction de la glace
- 5.6 Extraction de l'eau

6| ENTRETIEN ET NETTOYAGE

- 6.1 Maintenance
- 6.2 Nettoyage et entretien de l'intérieur du silo
- 6.3 Nettoyage des chariots
- 6.4 Nettoyage de pièces en acier inoxydable (corps et ciseaux)

CE MANUEL FAIT PARTIE DU PRODUIT. LISEZ-LE ATTENTIVEMENT AFIN D'EFFECTUER UN CORRECT USAGE ET ENTRETIEN DU PRODUIT. CONSERVEZ CE MANUEL POUR TOUTE CONSULTATION ULTERIEURE.

1| INTRODUCTION

Ce document décrit le processus d'installation du silo pour le stockage de la glace et sa distribution sans effort.

Les modèles qui sont conformes aux instructions contenues dans ce manuel sont les modèles avec chariot.

Ces systèmes de stockage sont compatibles avec notre machines à glace et peuvent servir pour toutes sortes de glace. La mission du silo avec chariot est de stocker la production de glace afin de répondre aux besoins de l'établissement de manière facile et ergonomique pour les utilisateurs.



Pour améliorer et faciliter le transport de la glace, des chariots ont été incorporés. Ceci permet à l'utilisateur de transporter la glace vers l'endroit désiré confortablement et avec un minimum d'effort.

1.1 AVERTISSEMENTS

- Avant l'installation et la mise en marche, lisez attentivement le manuel et suivez les instructions pour assurer une installation correcte et un bon fonctionnement.
- Il est important de conserver ce document afin de pouvoir le consulter ultérieurement.
- Toute utilisation du produit autre que pour le stockage et le transport de glace sera considérée comme inappropriée.
- Non seulement modifier ou tenter de modifier ce produit annule toute garantie, mais cela est aussi extrêmement dangereux.
- Pour assurer l'efficacité de ce produit et son bon fonctionnement, il est essentiel de respecter les instructions du manuel, en particulier en ce qui concerne les opérations d'entretien et de nettoyage.
- N'essayez pas de le réparer vous-même. L'intervention de personnes non qualifiées, en plus d'être dangereuse, peut risquer d'endommager le produit. En cas de panne, contactez votre revendeur. Il est recommandé de toujours demander des pièces de rechange d'origine.
- Il ne doit pas être utilisé à l'extérieur ou être exposé à la pluie.
- Ce produit n'est pas destiné à être utilisé par des personnes (y compris les enfants) dont les capacités physiques, sensorielles ou mentales sont affaiblies, ou qui manquent d'expérience ou de connaissances, à moins que cette utilisation ne se fasse sous supervision ou que des instructions ne leur aient été fournies concernant l'utilisation de l'appareil par une personne responsable de leur sécurité. Les enfants doivent être surveillés afin de s'assurer qu'ils ne jouent pas avec l'appareil.

2| RÉCEPTION DE LA MACHINE

Inspectez visuellement l'emballage avant de le retirer. En cas de dommage quelconque, faites une réclamation en temps opportun auprès de l'agence de transport.

Pour déterminer si la machine est endommagée, DÉBALLEZ-LA EN PRÉSENCE DU TRANSPORTEUR et consignez sur le bordereau de réception ou sur un document séparé les dommages que peut présenter la machine. Depuis le 1er mai 1998, la compagnie est conforme à la réglementation européenne sur la gestion des emballages et des déchets d'emballages.

Il est important de toujours noter le numéro et le modèle de la machine. Ce numéro est imprimé en trois endroits :

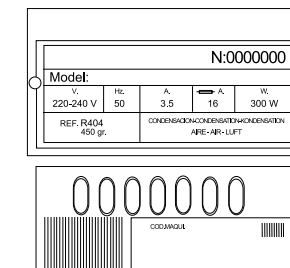
Emballage

Le numéro de fabrication est indiqué sur une étiquette à l'extérieur.

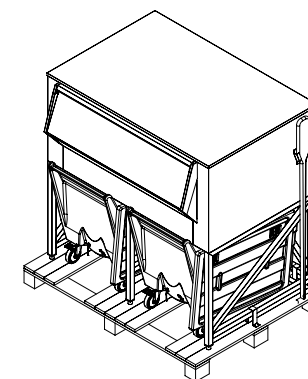
Extérieur de l'appareil

A l'arrière, une étiquette identique à la précédente.

Plaque signalétique



ATTENTION : AUCUN ÉLÉMENT D'EMBALLAGE (sacs en plastique, boîtes en carton et palettes en bois), NE DOIT ÊTRE LAISSÉ À PORTÉE DES ENFANTS, CAR IL S'AGIT D'UNE SOURCE DE DANGER POTENTIEL.



3| INSTALLATION

3.1 DÉBALLAGE

Pour déballer le produit, il est recommandé de suivre les étapes suivantes :

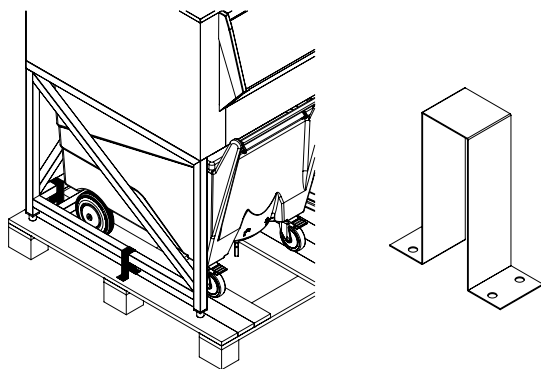
1. Coupez les plastiques de l'emballage.
2. Retirez les coins de protection en coupant les sangles qui les maintiennent et retirez la pelle de la partie supérieure des chariots.

3. Coupez les rubans adhésifs qui maintiennent les chariots et retirez les chariots de la partie inférieure du silo, puis déverrouillez les roues des chariots.
4. Ouvrez les couvercles des chariots et vérifiez qu'ils contiennent deux sacs avec des composants à l'intérieur.



Remarque : Les composants devant être dans les sacs comprennent deux pelles pour enlever la glace, un tuyau de vidange et ce manuel.

5. Retirez les fixations du silo avec la palette. Il y en a une de chaque côté et deux à l'arrière.



6. Placez le silo hors de la palette et mettez-le à sa place.
7. Retirez les protections des tôles.

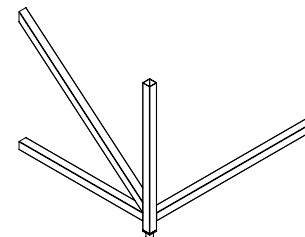
Une fois déballé, vérifiez que tous les composants sont présents :

- Silo
- Deux chariots
- Une grande pelle et deux petites
- Support de pelle
- Tuyau de vidange

4| MISE EN MARCHÉ

4.1 MISE À NIVEAU DU SILO

Des pieds réglables sont utilisés pour mettre à niveau le silo.



Remarque : les pieds ne doivent pas dépasser une hauteur totale de 54 mm.

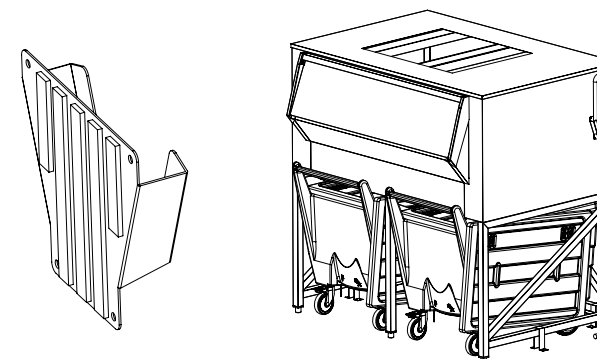
4.2 BRANCHEMENT DE LA VIDANGE

Le raccordement du tuyau d'évacuation du silo se situe dans le fond arrière du silo. Il est nécessaire de relier le tuyau de vidange qui se trouve à l'intérieur du chariot avec celui-ci.



Placez sous pression la partie coudée au raccord de la partie inférieure du silo. L'autre partie doit aller vers une vidange extérieure.

4.3 MONTAGE DU SUPPORT DE PELLE



Pour fixer le support de la pelle, vous devez suivre les instructions suivantes :

1. Nettoyez bien la zone où sera placée la pelle, puis séchez cette zone.
2. Retirez la protection du ruban adhésif.
3. Positionnez-le à l'endroit souhaité et appuyez dessus.

5| FONCTIONNEMENT

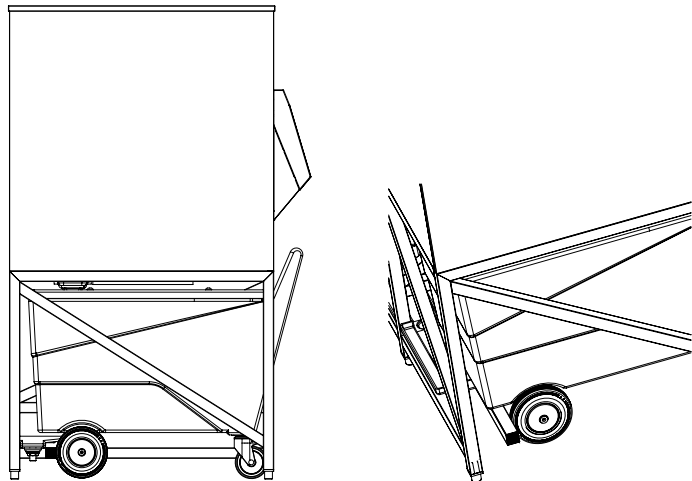
La glace s'accumule dans le silo, où elle restera stockée jusqu'à ce que se produise l'extraction. L'extraction est effectuée suivant l'ordre suivant :

1. Positionnement du chariot.
2. Cassage de la glace.
3. Chargement de la glace dans le chariot.
4. Transport de la glace.
5. Extraction de la glace.
6. Extraction de l'eau.

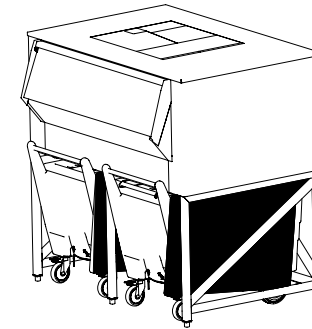
5.1 POSITIONNEMENT DU CHARIOT

Tout d'abord, vérifiez que le couvercle du chariot est retiré.

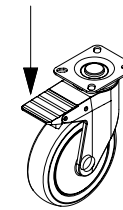
Avec le couvercle enlevé, placez le chariot sous le silo. Vérifiez que le chariot vient en butée contre le fond. Les roues avant doivent toucher un tuyau comme représenté sur l'image.



Par la suite, placez le couvercle sur le côté du silo comme illustré dans la figure suivante.



Ensuite, bloquez les roues du chariot. Pour ce faire, baissez les leviers des roues arrière du chariot, utilisez vos pieds pour abaisser les leviers.



5.2 CASSAGE DE LA GLACE ET POSITIONNEMENT

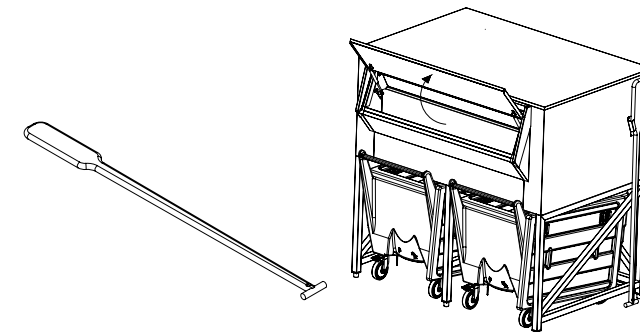
Si la glace s'est accumulée pendant une longue période et est compacte, il est nécessaire de casser la glace. S'il ne reste qu'une faible quantité de glace, il est nécessaire de positionner la glace au niveau de la vanne.

1. Cassage de la glace

Lorsque la glace s'est accumulée depuis un certain temps, il est possible qu'elle s'incruste. Frappez avec la pelle à glace pour la faire bouger.

2. Positionnez la glace

Lorsqu'il reste peu de glace, il se peut qu'elle ne soit pas située au niveau des ciseaux, de sorte que lorsque la porte est ouverte, toute la glace ne tombe pas. Pour que toute la glace tombe, utilisez la grande pelle et placez la glace sur la zone souhaitée.

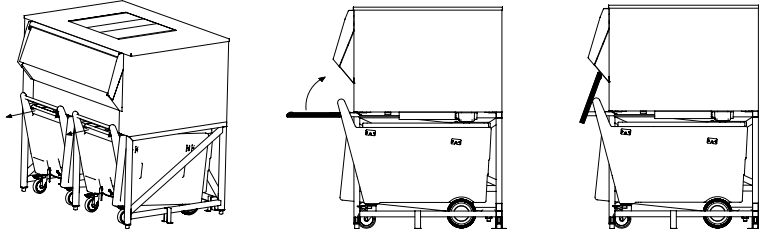


Pour ces deux actions, il est nécessaire de soulever la porte d'entrée du silo.

5.3 CHARGEMENT DE LA GLACE

Une fois que le chariot est correctement placé en dessous du silo, tirez sur la poignée pour déplacer les ciseaux vers l'extérieur jusqu'à ce qu'elle vienne en butée.

Une fois que la poignée est arrivée en butée, tournez-la et appuyez-la contre le silo. La glace tombera immédiatement dans le chariot.



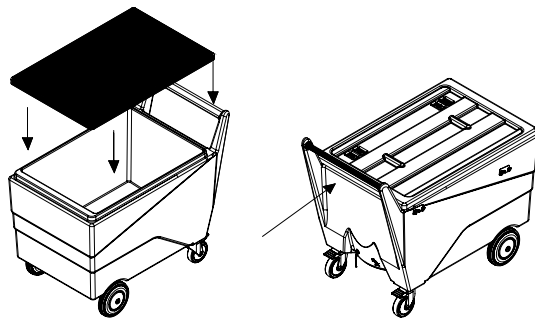
Lorsque vous considérez que le chariot est suffisamment rempli, les ciseaux seront placés en position initiale, bloquant ainsi le passage de la glace. Pour ce faire, abaissez la poignée et poussez les ciseaux vers l'intérieur jusqu'à ce qu'ils viennent en butée.

5.4 TRANSPORT DE LA GLACE

Il est nécessaire de fermer la vidange en actionnant le levier situé sur la partie inférieure. Tout d'abord, retirez le frein des roues en levant avec le pied. En outre, il est nécessaire de fermer la vidange du chariot au niveau de sa partie inférieure pour empêcher que l'eau ne s'écoule pendant le déplacement du chariot.

Tirez sur la poignée du chariot et sortez le silo du chariot.

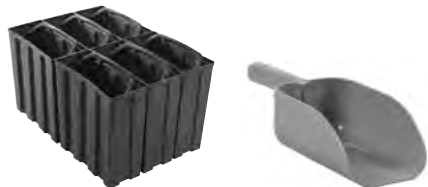
Mettez le couvercle du chariot pour une meilleure conservation de la glace durant le transport.



Avec le couvercle en place, le chariot est prêt pour le transport de la glace.

5.5 EXTRACTION DE LA GLACE

Une fois que le chariot a été placé à l'endroit approprié, la glace est extraite au moyen des pelles ou dans les paniers qui ont été livrés avec le silo.

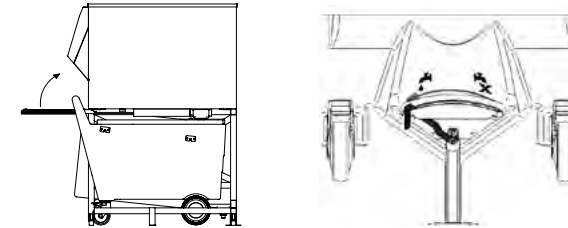


5.6 EXTRACTION DE L'EAU

Le chariot dispose d'une vidange pour que l'eau qui provient de la glace accumulée sur le chariot ne reste pas à l'intérieur pour une meilleure conservation de la glace.

Pour vider le chariot, il est conseillé de l'introduire sous le silo.

Il est recommandé de laisser le levier en position « ouverte », c'est à dire avec la vidange connectée, à condition que le chariot soit en dessous du silo. Manuelle au fond du chariot. Vous devez l'ouvrir



et laisser s'écouler l'eau. L'eau est dirigée vers le plateau d'écoulement inférieur du silo. Une fois que l'eau s'est vidée du chariot, fermez la vanne.

6| ENTRETIEN ET NETTOYAGE

ATTENTION : LES OPÉRATIONS D'ENTRETIEN ET DE NETTOYAGE ET LES PANNES QUI RÉSULTENT DE LEUR OMISSION NE SONT PAS INCLUSES DANS LA GARANTIE.

Les intervalles d'entretien et de nettoyage dépendent des conditions du local d'emplacement, de la qualité de l'eau et du temps d'utilisation.

6.1 MANTENANCE

- Pour maintenir une bonne hygiène, ce silo de stockage de glace **doit être nettoyé tous les trois mois** côté extérieur et surtout intérieur, y compris la partie inférieure du couvercle du silo.
- Le couvercle du silo a une façade amovible qui permet son retrait pour faciliter l'accès lors du nettoyage intérieur.
- Ensuite, rincez abondamment à l'eau. Un tuyau sous pression est recommandé.
- Si l'entretien n'est pas effectué périodiquement, la saleté peut s'accumuler dans le silo de manière significative et peut entraîner un processus de corrosion.

6.2 NETTOYAGE ET ENTRETIEN DE L'INTÉRIEUR DU SILO

- L'intérieur du silo doit être nettoyé et désinfecté avant l'utilisation et doit être nettoyé régulièrement pendant l'utilisation.
- L'intérieur du silo est équipé de parois revêtues de polyéthylène qui doivent être nettoyées et

désinfectées régulièrement avec un produit adapté aux zones à usage alimentaire.

6.3 NETTOYAGE DES CHARIOTS

- L'intérieur du chariot doit être nettoyé et désinfecté avec un produit de nettoyage autorisé et doit être nettoyé régulièrement pendant l'utilisation.

6.4 NETTOYAGE DE PIÈCES EN ACIER INOXYDABLE (CORPS ET CISEAUX)

- Les surfaces en acier inoxydable peuvent être nettoyées avec un produit de nettoyage pour acier inoxydable.
- Vous devez immédiatement retirer le plastique de protection des meubles en acier inoxydable. Si vous ne le retirez pas, le plastique se fissurera et des produits ou des graisses s'accumuleront et endommageront l'acier.
- N'utilisez pas de nettoyeurs abrasifs ou d'éponges métalliques NON ADAPTÉS à l'acier inoxydable.
- Lors de l'utilisation de produits pour le nettoyage de l'acier, suivez toujours les instructions du fabricant et après utilisation, rincez avec beaucoup d'eau et séchez la zone traitée.

CONSEILS DE NETTOYAGE :

- Gardez la pelle propre et en bon état pour éviter la contamination de la glace.
- N'utilisez pas d'éponges métalliques ou abrasives.
- Suivez le sens du polissage (le cas échéant). Faire des cercles avec l'éponge peut endommager l'aspect de surface.
- La formation de puits de calcaire, de sel, ou de graisse, entre autres, peut également provoquer de la corrosion.
- Nettoyez régulièrement. Il est plus facile d'enlever les taches avant qu'elles ne soient sèches et qu'elles n'attaquent l'acier inoxydable.
- Limitez au strict minimum l'utilisation d'éponges métalliques et utilisez obligatoirement des tissus sur des surfaces brillantes.

PRODUITS QUI NE DOIVENT PAS ÊTRE EN CONTACT AVEC L'ACIER :

- La lessive concentrée et/ou chaude.
- Les produits de désinfection concentrés ou chauds.
- L'acide chlorhydrique (décapage de tuile), même dilué ou froid.
- Les brosses ou éponges métalliques, en particulier celles en acier.
- Tout autre produit qui attaque à l'acier ou le plastique à l'intérieur.

INHALTSVERZEICHNIS

1| EINFÜHRUNG

- 1.1 Hinweise

2| ANNAHME DER MASCHINE

3| MONTAGE

- 3.1 Entpacken

4| INBETRIEBNAHME

- 4.1 Behälter nivellieren
- 4.2 Abfluss anschließen
- 4.3 Montage der Schaufelhalterung

5| BETRIEB

- 5.1 Wagen positionieren
- 5.2 Eis zerstoßen
- 5.3 Wagen mit Eis füllen
- 5.4 Eis abtransportieren
- 5.5 Entnahme von Eis
- 5.6 Wasserabfluss

6| WARTUNG UND REINIGUNG

- 6.1 Instandhaltung
- 6.2 Wartung und Reinigung des Behälterinnenbereichs
- 6.3 Reinigung der Wagen
- 6.4 Reinigung von Teilen aus rostfreiem Stahl (Gestell und Schieber)

DIESES HANDBUCH IST TEIL DES PRODUKTS. LESEN SICH DIESES DOKUMENT ZUR KORREKTEN VERWENDUNG UND WARTUNG DES GERÄTS SORGFÄLTIG DURCH. ES IST WICHTIG, ES ZUM SPÄTEREN NACHLESEN GUT AUFZUBEWAHREN.

1| EINFÜHRUNG

In diesem Dokument wird der Montagevorgang des Behälters für die Aufbewahrung und einfache Verteilung von Eis beschrieben.

Diese Bedienungsanleitung gilt für folgende Modelle mit Wagen.

Diese Behälter sind kompatibel mit den unsere Eismaschinen und für jede Art von Eis geeignet. Der Behälter mit Wagen dient zur Lagerung der Eisproduktion, damit die Benutzer den Bedarf der Örtlichkeit auf leichte und ergonomische Weise decken können.



Die Wagen wurden für einen besseren und leichteren Transport des Eises eingeführt. Damit kann der Benutzer bequem und mit sehr geringem Aufwand das Eis zum gewünschten Ort transportieren.

1.1 HINWEISE

- Die Bedienungsanleitung vor der Montage und Inbetriebnahme lesen und genau befolgen, um eine ordnungsgemäße Montage und einen reibungslosen Betrieb sicherzustellen.
- Das Dokument sollte für mögliche spätere Rückfragen aufbewahrt werden.
- Jegliche Verwendung des Produktes, die nicht zur Lagerung und zum Transport von Eis dient, gilt als unsachgemäß.
- Eine Veränderung bzw. der Versuch einer Veränderung am Produkt führt nicht nur zur Aufhebung jeglicher Art von Garantien, sondern ist auch außerordentlich gefährlich.
- Um die Effizienz dieses Produktes und dessen ordnungsgemäßen Betrieb garantieren zu können, ist es unbedingt erforderlich sich an die Angaben in der Bedienungsanleitung zu halten, vor allem hinsichtlich der Wartung und Reinigung.
- Versuchen Sie nicht, das Produkt selbst zu reparieren. Das Eingreifen nicht qualifizierter Personen ist nicht nur gefährlich, sondern kann auch dem Produkt Schaden zufügen. Sollten Störungen auftreten, bitte den Händler kontaktieren. Es wird empfohlen, stets Original-Ersatzteile anzufordern.
- Das Produkt sollte weder im Freien verwendet noch Regen ausgesetzt werden.
- Dieses Produkt ist nicht für die Verwendung durch Personen (einschließlich Kinder) mit eingeschränkten körperlichen, sensorischen oder geistigen Fähigkeiten oder mit mangelnden Erfahrungen oder Kenntnissen bestimmt, es sei denn, sie werden von einer für die Sicherheit des Gerätes zuständigen Person überwacht oder haben von dieser Anweisungen zu dessen Verwendung erhalten. Kinder müssen überwacht werden, damit sie nicht mit dem Gerät spielen.

2| ANNAHME DER MASCHINE

Vor dem Entfernen der Verpackung eine Sichtprüfung durchführen und bei Feststellen jeglicher Beschädigungen eine entsprechende Reklamation beim Transportunternehmen vorbringen. Zum Feststellen eventueller Beschädigungen an der Maschine diese IM BEISEIN DES TRANSPORTEURS AUSPACKEN und im Annahmedokument oder in einem separaten Schreiben die möglichen Beschädigungen daran vermerken. Seit dem 1. Mai 1998 erfüllt Company die europäischen Vorschriften für Verpackungen und Verpackungsabfälle.

Es ist wichtig, dass stets die Maschinen- und Modellnummer aufgeführt wird. Diese Nummer ist an 3 Stellen zu finden

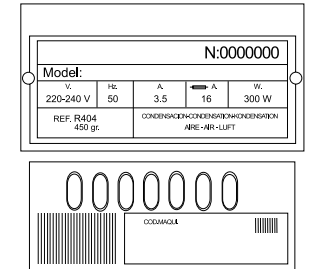
Verpackung

Außen befindet sich eine Kennzeichnung mit der Herstellungsnummer.

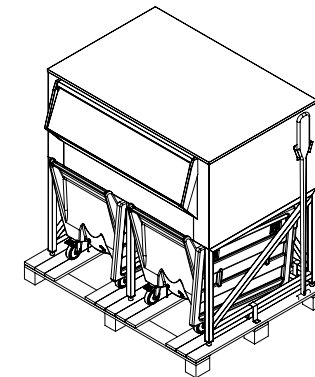
Außen am Gerät

Auf der Rückseite befindet sich die gleiche Kennzeichnung wie die auf der Verpackung.

Typenschild



ACHTUNG: SÄMTLICHE VERPACKUNGSELEMENTE (Plastiktüten, Pappkartons und Holzpaletten) MÜSSEN SICH AUSSERHALB DER REICHWEITE VON KINDERN BEFINDEN, DA SIE EINE MÖGLICHE GEFAHRENQUELLE DARSTELLEN.



3| MONTAGE

3.1 ENTPACKEN

Zum Entpacken des Produktes sollten folgende Schritte befolgt werden:

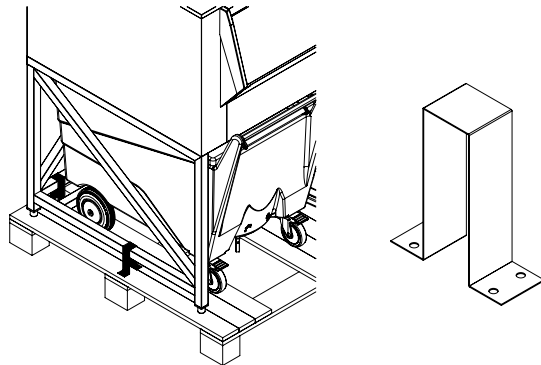
1. Plastikverpackung aufschneiden.
2. Den Kantenschutz entfernen. Dafür die Bänder durchschneiden, mit denen dieser befestigt ist, und die Schaufel aus dem oberen Teil der Wagen nehmen.

- Die Klebebänder, mit denen die Wagen befestigt sind, durchschneiden und die Wagen unter dem Behälter hervorziehen. Vorher die Räder der Wagen entsperren.
- Die Deckel der Wagen abnehmen und überprüfen, ob sich im Inneren 2 Tüten mit verschiedenen Teilen befinden.



Anmerkung: Die Tüten müssen folgende Teile enthalten: 2 Schaufeln zum Entnehmen von Eis, ein Abflussschlauch und diese Bedienungsanleitung.

- Die Befestigung, mit welcher der Behälter an der Palette fixiert ist, entfernen. Es gibt 1 Befestigung an jeder Seite sowie 2 auf der Rückseite.



- Den Behälter von der Palette bewegen und an seinen Platz stellen.
- Den Schutz der Bleche entfernen.

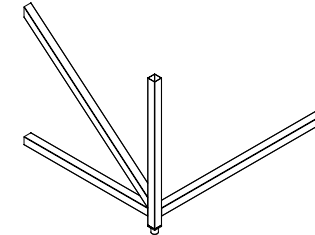
Nach dem Entpacken überprüfen, ob alle Komponenten vorhanden sind:

- Behälter
- 2 Wagen
- 1 große und 2 kleine Schaufeln
- Schaufelhalterung
- Abflussschlauch

4| INBETRIEBNAHME

4.1 BEHÄLTER NIVELLIEREN

Den Behälter mit den einstellbaren Füßen nivellieren.



Anmerkung: Die Füße dürfen eine Gesamthöhe von 54 mm nicht überschreiten.

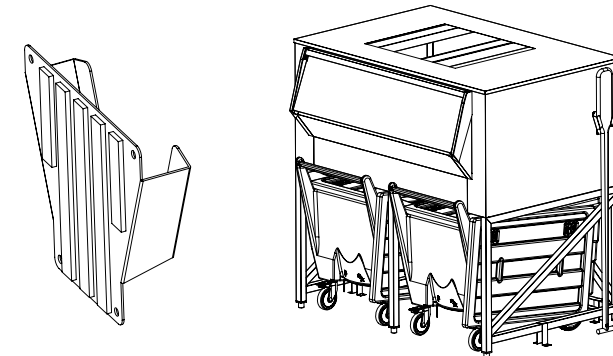
4.2 ANSCHLUSS DES ABFLUSSES

Hinten im unteren Bereich des Behälters befindet sich der Anschluss für den Abflussschlauch des Behälters. Dort den Abflussschlauch, der sich in einem der Wagen befand, anschließen.



Den gebogenen Teil durch Druck am Anschluss unten am Behälter anbringen. Den anderen Teil an einem Außenabfluss anschließen.

4.3 MONTAGE DER SCHAUFELHALTERUNG



Zum Befestigen der Schaufelhalterung folgende Anweisungen befolgen:

1. Den Bereich, in dem die Schaufel befestigt werden soll, gut reinigen und anschließend trocknen.
2. Den Schutz des Klebebands entfernen.
3. An der gewünschten Stelle positionieren und andrücken.

5| BETRIEB

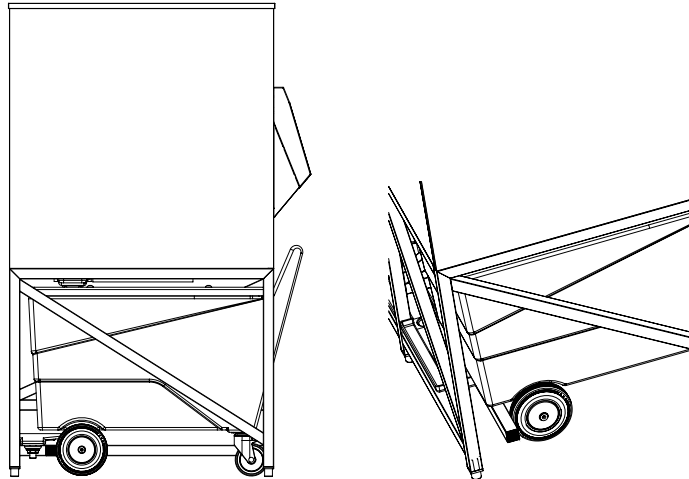
Das Eis sammelt sich im Behälter an, wo es bis zur Entnahme aufbewahrt wird. Die Entnahme wird wie nachfolgend beschrieben durchgeführt:

1. Wagen positionieren
2. Eis zerstoßen
3. Wagen mit Eis füllen
4. Eis abtransportieren
5. Entnahme von Eis
6. Wasserabfluss

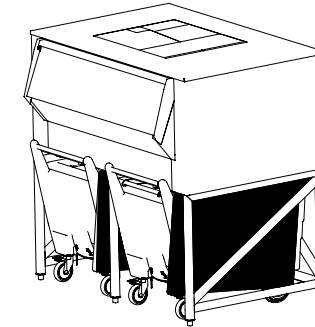
5.1 WAGEN POSITIONIEREN

Zuerst den Deckel vom Wagen entfernen.

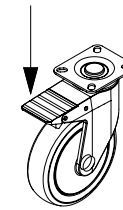
Den Wagen mit dem entfernten Deckel unter dem Behälter positionieren. Den Wagen so weit wie möglich hineinschieben. Wie auf der Abbildung gezeigt, stoßen die Vorderräder dann an einen Rohr.



Dann den Deckel wie auf der Abbildung an der Seite des Behälters platzieren.



Die Räder des Wagens sofort feststellen. Dafür die Hebel an den hinteren Rädern des Wagens mit dem Fuß herunterdrücken.



5.2 EIS ZERSTOSSEN UND BEWEGEN

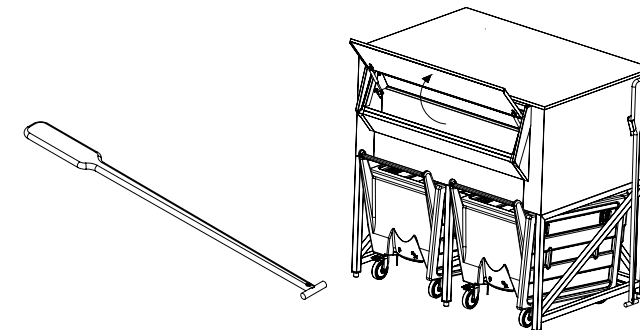
Wenn das Eis über einen längeren Zeitraum gelagert wird und sich verklumpt hat, muss es zerstoßen werden. Ist nur noch wenig Eis vorhanden, muss es über der Öffnung platziert werden.

1. Eis zerstoßen

Wird das Eis über einen längeren Zeitraum gelagert, kann es sich verklumpen. Mit der Schaufel auf das Eis klopfen, damit es sich löst.

2. Eis bewegen

Ist nur noch wenig Eis vorhanden, befindet sich dies möglicherweise nicht genau über der Öffnung und fällt daher beim Öffnen nicht heraus. In diesem Fall mit der langen Schaufel das Eis an die gewünschte Stelle schieben.

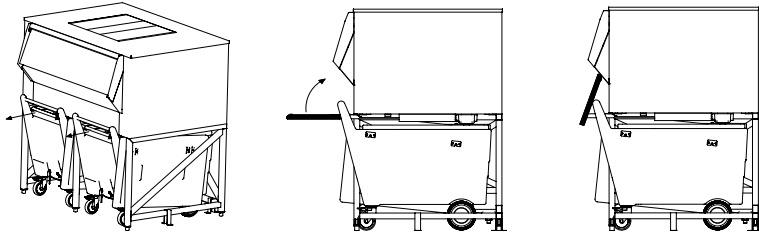


Für diese beiden Vorgänge muss die vordere Klappe des Behälters geöffnet werden.

5.3 WAGEN MIT EIS FÜLLEN

Sobald der Wagen richtig unter dem Behälter positioniert ist, den Griff des Schiebers so weit wie möglich herausziehen.

Ist der Griff bis zum Anschlag herausgezogen, diesen drehen und gegen den Behälter lehnen. Das Eis fällt dann sofort in den Wagen.

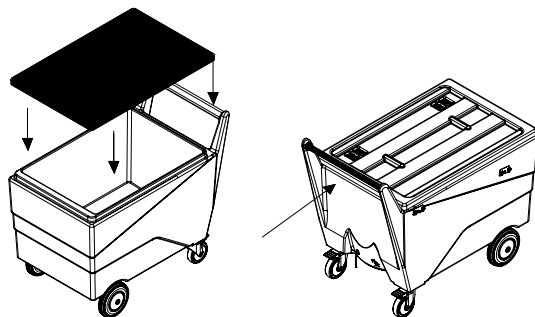


Wenn der Wagen ausreichend gefüllt ist, den Schieber wieder in die ursprüngliche Position bringen und somit die Öffnung für das Eis schließen. Dafür muss der Griff nach unten bewegt und der Schieber so weit wie möglich hineingeschoben werden.

5.4 EIS ABTRANSPORTIEREN

Der Abfluss des Wagens muss durch Betätigen des sich am unteren Teil befindenden Hebels verschlossen werden. Zuerst die Bremse der Räder mit dem Fuß nach oben wegen und somit lösen. Außerdem muss der Abfluss am unteren Teil des Behälters geschlossen werden, um den Ausfluss von Wasser während der Bewegung des Wagens zu verhindern.

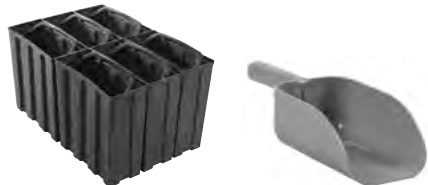
Den Wagen am Griff anfassen und unter dem Behälter hervorziehen.



Den Deckel auf dem Wagen platzieren, um das Eis während dem Transport zu schützen. Mit dem Deckel auf dem Wagen kann das Eis nun abtransportiert werden.

5.5 ENTNAHME VON EIS

Sobald sich der Wagen an der entsprechenden Stelle befindet, kann das Eis mit den mitgelieferten oder Körbe Schaufeln entnommen werden.



5.6 WASSERABFLUSS

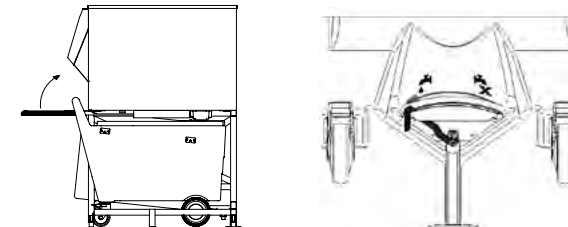
Damit das – durch das auf dem Wagen geschmolzene Eis entstandene – Wasser abfließen kann, verfügt der Wagen – für eine bessere Konservierung des Eis – über einen Abfluss.

Der Wagen verfügt über einen Abfluss, wodurch das durch Eis entstehende Wasser aus dem Inneren abfließen kann und das Eis somit besser erhalten wird.

Zum Entleeren des Wagens wird empfohlen, diesen unter dem Behälter zu positionieren.

Im unteren Bereich des Wagens befindet sich ein Ventil, das per Hand geöffnet wird. Sobald der Wagen richtig positioniert ist, das Ventil öffnen und das Wasser herausfließen lassen. Das Wasser fließt dann in die Abflusswanne unter dem Behälter.

Der Hebel sollte immer dann auf „offen“ gestellt, d. h. der Abfluss angeschlossen sein, wenn der Wagen unter dem Behälter steht.



6| WARTUNG UND REINIGUNG

ACHTUNG: DIE WARTUNGS- UND REINIGUNGSVORGÄNGE SOWIE ENTSTANDENE SCHÄDEN AUFGRUND DEREN UNTERLASSUNG WERDEN NICHT VON DER GARANTIE GEDECKT.

Die Zeiträume für Wartungs- und Reinigungsarbeiten sind abhängig von den Bedingungen der Örtlichkeit, der Wasserqualität und der Nutzungsdauer.

6.1 INSTANDHALTUNG

- Zur Gewährleistung einer korrekten Hygiene muss dieser Behälter zur Lagerung von Eis **alle drei Monate – außen und besonders innen – gereinigt werden**, der untere Teil des Behälterdeckels eingeschlossen.
- Der Behälterdeckel hat einen abmontierbaren vorderen Teil, der einfach abgenommen werden kann und damit die Reinigung des Inneren erleichtert.
- Abschließend mit reichlich Wasser spülen. Besonders gut eignet sich hierzu ein Druckschlauch.
- Bei nicht regelmäßiger Durchführung der Wartung kann sich Schmutz im Behälter ansammeln und damit sogar einen Korrosionsprozess einleiten.

6.2 WARTUNG UND REINIGUNG DES BEHÄLTERINNENBEREICHS

- Der Innenbereich des Behälters muss vor der Verwendung gereinigt und desinfiziert und auch während der Nutzung regelmäßig gereinigt werden.

- Die Wände des Behälters sind innen mit Polyethylen beschichtet und müssen regelmäßig mit einem lebensmitteltauglichen Produkt gereinigt und desinfiziert werden.

6.3 REINIGUNG DER WAGEN

- Der Innenbereich des Wagens muss während der Nutzung regelmäßig mit einem zugelassenen Produkt gereinigt und desinfiziert werden.

6.4 REINIGUNG VON TEILEN AUS ROSTFREIEM STAHL (GESTELL UND SCHIEBER)

- Flächen aus rostfreiem Stahl können mit einem Reinigungsprodukt für rostfreien Stahl gereinigt werden.
- Dafür muss der Kunststoffschutz für die Teile aus rostfreiem Stahl entfernt werden, da der Kunststoff sonst langfristig rissig wird und Produkte oder Fette eindringen können, die den Stahl angreifen.
- Keine Scheuermittel oder Drahtschwämme verwenden, die NICHT GEEIGNET sind für rostfreien Stahl.
- Bei der Reinigung von Stahl stets die Herstellerangaben befolgen und den behandelten Bereich nach der Verwendung mit ausreichend Wasser abspülen und trocknen.

TIPPS ZUR SAUBERKEIT:

- Die Schaufel sauber und in gutem Zustand halten, um die Verschmutzung des Eises zu verhindern.
- Keine Metall- oder Scheuerschwämme verwenden.
- Der Polierrichtung (falls vorhanden) folgen. Die Reinigung mit einem Schwamm in kreisenden Bewegungen kann das Aussehen der Oberfläche beeinträchtigen.
- Das Entstehen von Ablagerungen durch Kalk, Salz, Fett usw. kann ebenfalls zu Korrosion führen.
- Regelmäßig reinigen. Flecken entfernen bevor sie trocknen und den rostfreien Stahl beschädigen.
- Drahtschwämme so selten wie möglich zur Reinigung verwenden. Für glänzende Oberflächen müssen Tücher benutzt werden.

PRODUKTE, MIT DEN DER ROSTFREIE STAHL NICHT IN BERÜHRUNG KOMMEN DARF:

- Konzentrierte und/oder warme Bleiche.
- Konzentrierte oder warme Desinfektionsprodukte.
- Salzsäure (zum Abbeizen von Fliesen), weder verdünnt noch in kalter Form.
- Bürsten oder Schwämme aus Draht und besonders nicht aus Stahl.
- Jegliche Produkte, die den Stahl oder den Kunststoff im Inneren angreifen.

ÍNDICE

1| INTRODUÇÃO

- 1.1 Avisos

2| RECEÇÃO DA MÁQUINA

3| INSTALAÇÃO

- 3.1 Desembalagem

4| INÍCIO DE OPERAÇÃO

- 4.1 Nivelamento do silo
- 4.2 Ligação do escoamento
- 4.3 Montar o suporte da pá

5| FUNCIONAMENTO

- 5.1 Posicionar o carrinho
- 5.2 Partir o gelo
- 5.3 Carregar o gelo no carrinho
- 5.4 Transporte de gelo
- 5.5 Extração de gelo
- 5.6 Extração de água.

6| MANUTENÇÃO E LIMPEZA

- 6.1 Manutenção
- 6.2 Limpeza e manutenção do interior do silo
- 6.3 Limpeza dos carrinhos
- 6.4 Limpeza das peças de aço inoxidável (carroçarias e tábuas de corte)

ESTE MANUAL FORMA PARTE DO PRODUTO. LEIA CUIDADOSAMENTE ESTE DOCUMENTO PARA O USO E MANUTENÇÃO CORRETOS DO EQUIPAMENTO. É IMPORTANTE GUARDAR ESTE MANUAL PARA POSSÍVEIS CONSULTAS POSTERIORES.

1| INTRODUÇÃO

Neste documento, é descrito o processo de instalação do silo para o armazenamento de gelo e distribuição simples.

Os modelos que cumprem as instruções deste manual são os modelos com carrinho.

Estes postos de armazenamento são compatíveis com nossas máquinas de gelo e servem para todos os tipos de gelo. A missão do silo com os carrinhos é armazenar a produção de gelo para satisfazer as necessidades do local de uma forma fácil e ergonómica para os utilizadores.



Para melhorar e facilitar o transporte de gelo, foram incorporados carrinhos. Tal permite que o utilizador possa transportar com comodidade e esforço mínimo o gelo para o local desejado.

1.1 AVISOS

- Antes da instalação e funcionamento, ler e seguir atentamente o manual para garantir a instalação correta e um bom funcionamento.
- É importante conservar o documento para possível referência futura.
- Qualquer utilização do produto que não seja para armazenamento e transporte de gelo será considerada inadequada.
- Modificar ou tentar modificar este produto anulará qualquer tipo de garantia, sendo extremamente perigoso.
- Para garantir a eficiência deste produto bem como o seu correto funcionamento, é fundamental seguir as indicações do manual, sobretudo no que diz respeito às operações de manutenção e limpeza.
- Não tente reparar a máquina por si. A intervenção de pessoas não qualificadas, além de ser perigoso, pode provocar avarias no produto. Em caso de avaria, contactar o distribuidor. Recomendamos sempre a exigência de peças de substituição originais.
- Não deve ser utilizado ao ar livre ou exposto à chuva.
- Este produto não se destina à utilização por pessoas (incluindo crianças) cujas capacidades físicas, sensoriais ou mentais sejam reduzidas, ou que careçam de experiência ou conhecimento, a não ser que tenham tido supervisão ou instruções relativas à utilização do aparelho por uma pessoa responsável pela sua segurança. As crianças pequenas devem ser vigiadas para assegurar que não brincam com o aparelho.

2| RECEÇÃO DA MÁQUINA

Verificar visualmente a embalagem antes de a remover. Caso seja visualizado qualquer dano, realizar a respetiva reclamação com a transportadora.

Para perceber se a máquina apresenta danos, DESEMBALAR NA PRESENÇA DO TRANSPORTADOR e referir no documento de receção ou em aviso à parte os danos que a máquina possa apresentar. Desde o dia 1 de maio de 1998, a Company cumpre as normas europeias sobre gestão de embalagens e resíduos de embalagens.

Importante registar sempre o número e o modelo da máquina. Este número é impresso em três locais:

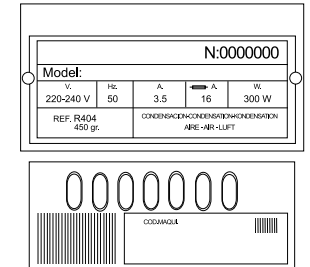
Embalagem

Exteriormente possui uma etiqueta com o número de série.

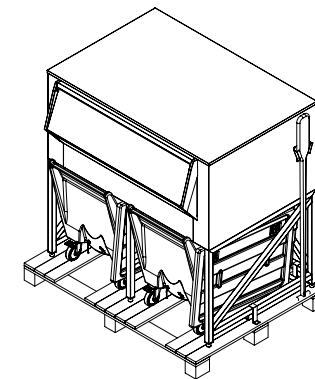
Exterior do aparelho

Na parte de trás, numa etiqueta igual à anterior.

Placa de características



AVISO: TODOS OS MATERIAIS DE EMBALAGEM (sacos de plástico, caixas de cartão e paletes de madeira), NÃO DEVEM SER DEIXADOS AO ALCANCE DAS CRIANÇAS POR CONSTITUÍREM UMA POTENCIAL FONTE DE PERIGO.



3| INSTALAÇÃO

3.1 DESEMBALAGEM

Para desembalar o produto, recomenda-se seguir os seguintes passos:

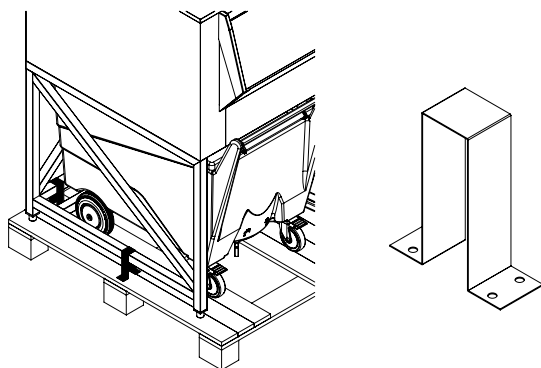
1. Cortar a embalagem de plástico.
2. Retirar os cantos de proteção. Para tal, cortar as fitas que os seguram e remover a tampa da parte superior dos carrinhos.

3. Cortar as cintas de fixação dos carrinhos e retirar os carrinhos debaixo do silo. Anteriormente, desbloquear as rodas dos carrinhos.
4. Abrir as tampas dos carrinhos e verificar que existem duas bolsas no seu interior componentes internos.



Nota: Os componentes devem estar nas bolsas incluem duas pás para remover o gelo, um cano de esgoto e este manual.

5. Remover a fixação do silo à palete. Existe uma de cada lado e duas na parte traseira.



6. Deslocar o silo para fora da palete e colocá-lo no lugar.
7. Retirar as proteções das chapas.

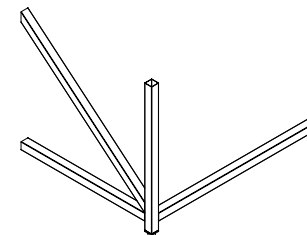
Depois de desembalado, verificar que todos os componentes existem:

- Silo
- Dois carrinhos
- Uma pá grande e duas pequenas
- Suporte da pá
- Cano de escoamento

4| ARRANQUE

4.1 NIVELAMENTO DO SILO

Para nivelar o silo, utilizam-se os pés ajustáveis.



Nota: Os pés não devem ultrapassar uma altura total de 54 mm.

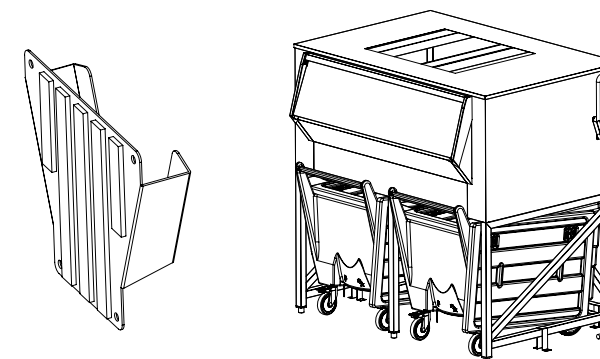
4.2 LIGAÇÃO AO ESCOAMENTO

Na parte inferior traseira do silo encontra-se a ligação do cano de escoamento do silo. É necessário ligar-lhe o tubo de escoamento existente dentro de um carrinho.



Colocar a parte em cotovelo na ligação inferior do silo por pressão. A outra parte deverá ir para um escoamento exterior.

4.3 MONTAGEM DO SUPORTE DA PÁ



Para fixar o suporte da pá, devem ser seguidas as seguintes instruções:

1. Limpar bem a área onde será colocada a pá e, posteriormente, secar a área.
2. Remover a fita protetora.
3. Posicionar na área desejada e pressionar.

5| FUNCIONAMENTO

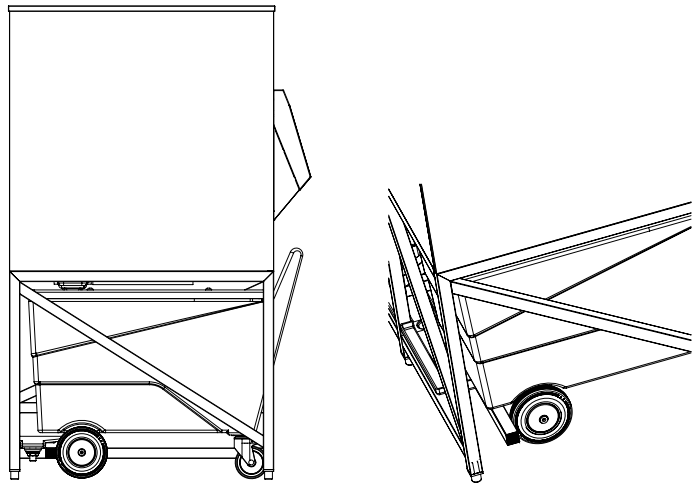
O gelo acumula-se no silo, onde permanecerá armazenado até ser realizada a extração. A extração é realizada na seguinte sequência:

1. Posicionar o carrinho.
2. Partir o gelo.
3. Carregar o gelo no carrinho.
4. Transporte de gelo.
5. Extração de gelo.
6. Extração de água.

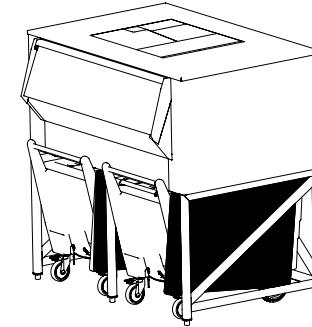
5.1 POSICIONAR O CARRINHO

Em primeiro lugar, verificar que o carrinho possui a tampa removida.

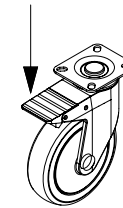
Com a tampa removida, colocar o carrinho sob o silo. Verificar que o carrinho encosta ao fundo. As rodas dianteiras tocarão num tubo, conforme ilustrado na imagem.



Posteriormente, colocar a tampa na lateral do silo, conforme ilustrado na seguinte figura.



Em seguida, travar as rodas do carrinho. Para tal, baixar as alavancas das rodas traseiras do carrinho. Utilizar os pés para baixar as alavancas.



5.2 PARTIR E POSICIONAR O GELO

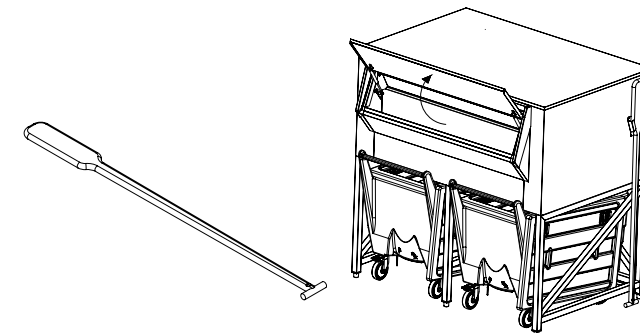
Se o gelo for acumulado durante bastante tempo e ficar compactado, será necessário parti-lo. Se houver pouca quantidade de gelo, será necessário posicionar o gelo na comporta.

1. Partir o gelo

Quando o gelo se acumula durante algum tempo, é possível que fique colado. Bater com a pá no gelo, para que se mova.

2. Posicionar o gelo

Quando houver pouco gelo, este poderá não estar localizado na tábua de corte, pelo que quando se abre a mesma o gelo poderá não cair todo. Para cair todo, é utilizada a pá larga, localizando o gelo na área desejada.

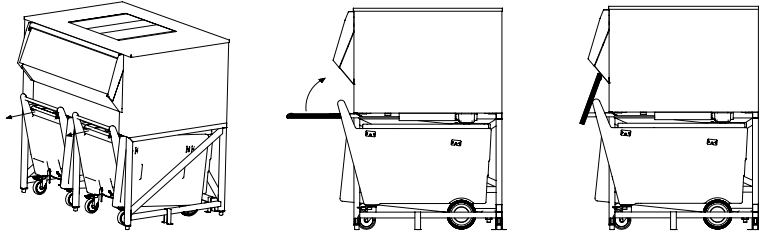


Para estas duas ações, é necessário levantar a porta da frente do silo.

5.3 CARREGAR O GELO

Depois de colocar o carrinho por baixo do silo de forma correta, puxar a alça do puxador para mover a tábua para fora até encostar.

Depois de encostar, rodar a alça e apoiar no silo. O gelo cairá imediatamente no carrinho.

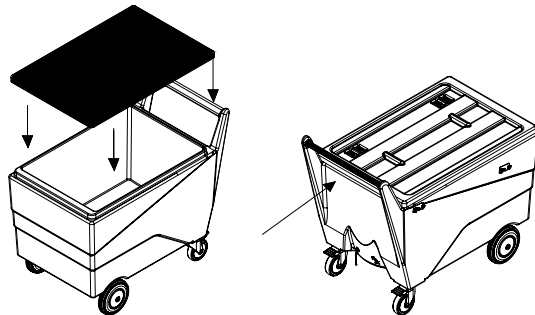


Quando for considerado que o carrinho está suficientemente cheio, a tábua deverá ser colocada na sua posição original, fechando assim a passagem de gelo. Para tal, deverá baixar a alça e empurrar a tábua para o interior até encostar.

5.4 TRANSPORTE DE GELO

Em primeiro lugar, tem de fechar o escoamento do carrinho, acionando a alavanca na parte inferior deverá retirar o travão das rodas, subindo-o com o pé. Além disso, é necessário fechar o escoamento do carrinho, na parte inferior do mesmo, para evitar que saia água durante o movimento do carrinho.

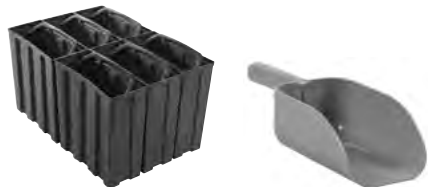
Puxar a pega do carrinho e retirar o carrinho do silo.



Para uma melhor conservação do gelo durante o tempo de transporte, colocar a tampa no carrinho. Com a tampa colocada, o carrinho estará pronto para o transporte de gelo.

5.5 EXTRAÇÃO DE GELO

Depois de colocado o carrinho no local correspondente, o gelo é extraído com as pás ou cestas que foram entregues com o silo.

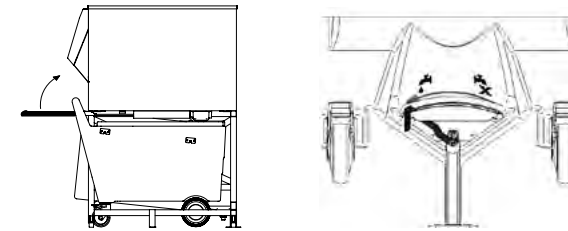


5.6 EXTRAÇÃO DE ÁGUA

O carrinho possui um escoamento para a água provocada pelo gelo derretido no carrinho, para uma melhor conservação do gelo.

Para esvaziar o carrinho, recomenda-se a sua introdução por baixo do silo.

Depois de colocado, na parte inferior do carrinho existe uma válvula manual. Deverá abrir esta válvula e deixar passar a água. A água é conduzida para a bandeja de escoamento inferior do silo.



Recomenda-se deixar a alavanca na posição “aberta”, ou seja, com o escoamento ligado, sempre que o carrinho se encontre debaixo do silo.

6] MANUTENÇÃO E LIMPEZA

AVISO: AS OPERAÇÕES DE MANUTENÇÃO E LIMPEZA E AS AVARIAS PRODUZIDAS PELA SUA OMISSÃO NÃO ESTÃO INCLUÍDAS NA GARANTIA.

Os intervalos de manutenção e limpeza dependem das condições do local de colocação, da qualidade da água e do tempo de utilização.

6.1 MANUTENÇÃO

- Para manter uma higiene adequada, este silo de armazenamento de gelo **precisa de ser limpo trimestralmente** pelo exterior e sobretudo no interior, incluindo a parte inferior da tampa do silo.
- A tampa do silo possui uma parte frontal amovível que permite a sua remoção para facilitar o acesso para a limpeza interior.
- Lavar posteriormente com água abundante. Recomenda-se uma mangueira de pressão.
- Se a manutenção não for realizada periodicamente, pode acumular-se bastante sujidade no silo e inclusivamente ser iniciado um processo de corrosão.

6.2 LIMPEZA E MANUTENÇÃO DO INTERIOR DO SILO

- O interior do silo deve ser limpo e desinfetado antes da sua utilização e deverá ser limpo regularmente durante a sua utilização.

- O interior do silo está equipado com paredes revestidas de polietileno, que devem ser limpas e desinfetadas periodicamente com um produto adequado para áreas de uso alimentar.

6.3 LIMPEZA DOS CARRINHOS

- O interior do carrinho deve ser limpo e desinfetado com um produto de limpeza autorizado e deverá ser limpo regularmente durante a sua utilização.

6.4 LIMPEZA DAS PEÇAS DE AÇO INOXIDÁVEL (CARROÇARIAS E TÁBUAS DE CORTE)

- As superfícies de aço inoxidável podem ser limpas com um produto de limpeza para o aço inoxidável.
- O plástico protetor para os móveis de aço inoxidável deve ser imediatamente retirado. Caso contrário, ao longo do tempo, o plástico partirá e serão acumulados produtos ou gorduras que danificam o aço.
- Não utilizar produtos de limpeza abrasivos ou esfregões INADEQUADOS para aço inoxidável.
- Ao usar produtos para a limpeza de aço, seguir sempre as instruções do fabricante depois de utilizar, lavar com água abundantemente e secar a área tratada.

CONSELHOS DE LIMPEZA:

- Manter a pá limpa e em bom estado para evitar a contaminação do gelo.
- Não utilizar esfregões metálicos ou abrasivos.
- Seguir a direção do grão (se houver). A realização de círculos com o esfregão pode danificar a aparência da superfície.
- A formação de resíduos de cal, sal ou gordura, entre outros, pode igualmente provocar corrosão.
- Limpar regularmente. É mais fácil eliminar as manchas antes de estarem secas e poderem atacar o aço inoxidável.
- Limitar estritamente ao mínimo a utilização de esponjas de metal e utilizar obrigatoriamente panos nas superfícies brilhantes.

PRODUTOS QUE NÃO DEVEM ENTRAR EM CONTACTO COM O AÇO INOXIDÁVEL:

- A lixívia concentrada e/ou quente.
- Os produtos de desinfecção concentrados ou quentes.
- O ácido clorídrico (decapagem de cerâmicos) mesmo que diluído ou frio.
- As escovas ou esponjas de metal, em particular aço.
- Qualquer outro produto que ataque o aço ou o plástico interior.

INDICE

1| INTRODUZIONE

- 1.1 Avvertenze

2| RICEVIMENTO DELLA MACCHINA

3| INSTALLAZIONE

- 3.1 Disimballo

4| MESSA IN FUNZIONE

- 4.1 Livellare il silo
- 4.2 Collegamento dello scarico
- 4.3 Montare il supporto della paletta

5| FUNZIONAMENTO

- 5.1 Posizionare il carrello.
- 5.2 Rompere il ghiaccio.
- 5.3 Caricare il ghiaccio nel carrello.
- 5.4 Trasportare il ghiaccio.
- 5.5 Estrazione del ghiaccio.
- 5.6 Estrazione dell'acqua.

6| MANUTENZIONE E PULIZIA

- 6.1 Mantenimiento
- 6.2 Limpieza y mantenimiento del interior del silo
- 6.3 Limpieza de los carros
- 6.4 Limpieza de las partes de acero inoxidable (carrocería y tajaderas)

IL PRESENTE MANUALE E' PARTE INTEGRANTE DEL PRODOTTO. LEGGERE ATTENTAMENTE IL PRESENTE DOCUMENTO AI FINI DI UN UTILIZZO E MANUTENZIONE CORRETTI DEL DISPOSITIVO. CONSERVARE SCRUPolosAMENTE IL MANUALE PER EVENTUALI CONSULTAZIONI FUTURE.

1| INTRODUZIONE

Nel presente documento si descrive la procedura di installazione del silo per lo stoccaggio del ghiaccio e distribuzione senza sforzo.

I modelli cui fanno riferimento le istruzioni del presente manuale sono il modelli con carrello.

Si tratta di depositi compatibili con nostro macchine per la produzione di ghiaccio e servono per tutti i tipi di ghiaccio. Il silo con carrello serve per stoccare la produzione di ghiaccio, rispondendo al fabbisogno del locale in maniera semplice ed ergonomica per gli utenti.



Per migliorare e agevolare il trasporto di ghiaccio sono stati inseriti dei carrelli. In questo modo l'utente può trasportare in maniera comoda e senza sforzo il ghiaccio nel luogo desiderato.

1.1 AVVERTENZE

- Prima di procedere all'installazione e alla messa in funzione, si prega di leggere e seguire in maniera scrupolosa le indicazioni contenute nel manuale per assicurarsi della corretta installazione e del corretto funzionamento.
- È importante conservare correttamente il manuale per le eventuali successive consultazioni.
- Ogni utilizzo del prodotto non destinato allo stoccaggio e al trasporto del ghiaccio sarà considerato inadeguato.
- Modificare o cercare di modificare l'apparecchio non soltanto annulla qualsivoglia forma di garanzia, ma è estremamente pericoloso.
- Al fine di garantire l'efficienza di questa macchina e il suo corretto funzionamento, è indispensabile attenersi alle indicazioni del manuale, in particolare per quanto attiene agli interventi di manutenzione e pulizia.
- Non cercare di riparare l'apparecchio da soli. L'intervento di personale non qualificato può causare gravi anomalie, oltre ad essere molto pericoloso. In caso di guasto si prega di contattare il distributore presso il quale è stata acquistata la macchina. Si raccomanda di pretendere sempre l'installazione di pezzi di ricambio originali.
- Non deve essere utilizzato all'aperto né in condizioni di esposizione alla pioggia.
- Questo apparecchio non è destinato all'uso da parte di persone (bambini compresi) le cui capacità fisiche, sensoriali o mentali sono ridotte o che non hanno esperienza o competenze, tranne in caso di supervisione o istruzioni relative all'uso dell'apparecchio da parte di un responsabile della sicurezza. Si prega di tenere sotto controllo i bambini per assicurarsi che non giochino con l'apparecchio.

2| RICEVIMENTO DELLA MACCHINA

Effettuare un'ispezione visiva dell'imballaggio prima di rimuoverlo. Nel caso in cui si riscontrino anomalie, effettuare gli opportuni reclami al trasportatore.

Per verificare se la macchina ha subito danni, APRIRLA IN PRESENZA DELL'AUTISTA e riportare opportuna indicazione sulla bolla di accompagnamento o su documento a parte. Dal 1° maggio 1998 la ditta rispetta le normative europee in materia di gestione degli imballaggi e dei relativi rifiuti.

È importante indicare sempre il numero e il modello della macchina. Tale numero è stampato su tre punti:

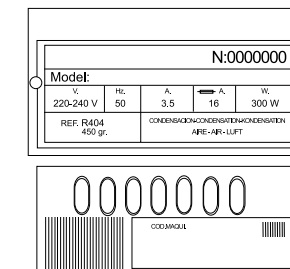
Imballaggio

Esternamente riporta un'etichetta con il numero di costruzione.

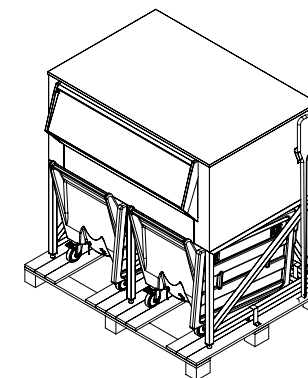
Esterno dell'apparecchio

Nella parte posteriore, su un'etichetta uguale alla precedente.

Targhetta caratteristiche



ATTENZIONE: TUTTI I COMPONENTI DELL'IMBALLAGGIO (sacchetti di plastica, scatole di cartone e pallet di legno), NON DEVONO ESSERE LASCIATI ALLA PORTATA DEI BAMBINI, ESSENDO UNA POTENZIALE FONTE DI PERICOLO!



3| INSTALLAZIONE

3.1 DISIMBALLO

Per disimballare il prodotto si raccomanda di eseguire la procedura seguente:

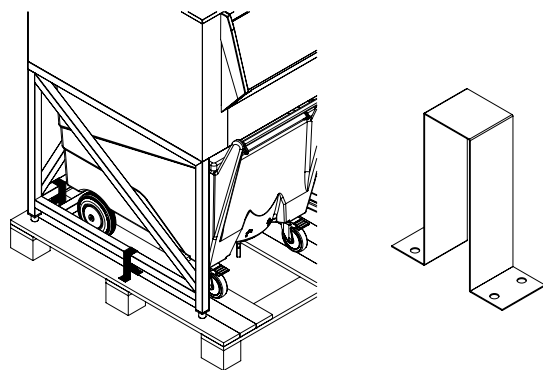
1. Tagliare la plastica dell'imballaggio.
2. Rimuovere gli angoli protettivi, tagliando le reggette che li trattengono e rimuovere la paletta dalla parte superiore dei carrelli.

3. Tagliare il nastro adesivo che fissa i carrelli e rimuovere i carrelli dalla parte inferiore del silo. Sulla parte anteriore, sbloccare le ruote del carrello.
4. Aprire le coperture dei carrelli e controllare che al loro interno siano presenti due sacchetti contenenti i vari componenti.



Nota: I componenti che devono essere presenti all'interno dei sacchetti sono i seguenti: due pale per l'estrazione del ghiaccio, un tubo di scarico e il presente manuale.

5. Rimuovere il fissaggio del silo al pallet. Sono presenti un fissaggio su ciascun lato e due nella parte posteriore.



6. Spostare il silo dal pallet e posizionarlo nell'ubicazione prevista.
7. Rimuovere le protezioni delle lamiere.

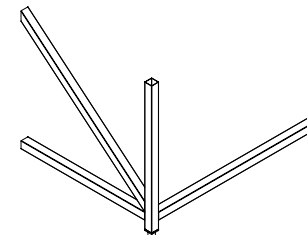
Una volta disimballata la macchina, controllare che siano presenti tutti i componenti:

- Silo
- Due carrelli
- Una paletta grande e due piccole
- Supporto della paletta
- Tubo di scarico

4| MESSA IN FUNZIONE

4.1 LIVELLARE IL SILO

Per livellare il silo si usano i piedini regolabili.



Nota: I piedini non devono superare un'altezza totale di 54 mm.

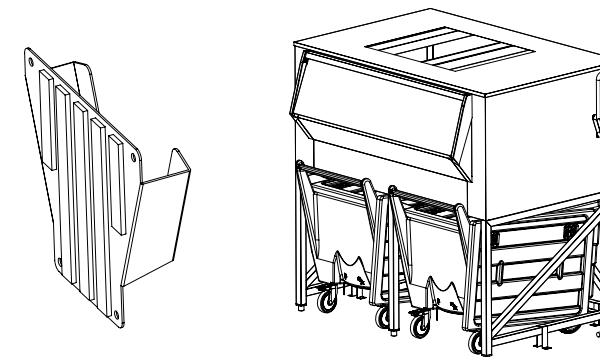
4.2 COLLEGAMENTO DELLO SCARICO

Nella parte inferiore e posteriore del silo si trova il collegamento del tubo di scarico del silo. È necessario collegarvi il tubo di scarico contenuto nel carrello.



Inserire a pressione la parte con il gomito sul collegamento della parte inferiore del silo. L'altra parte dovrà essere collegata a uno scarico esterno.

4.3 MONTAGGIO SUPPORTO PALETTA



Per fissare il supporto della paletta è necessario seguire le seguenti istruzioni:

1. Pulire e asciugare accuratamente l'area in cui si collocherà la paletta.
2. Rimuovere la protezione di nastro adesivo.
3. Posizionarlo nell'area desiderata e premere.

5| FUNZIONAMENTO

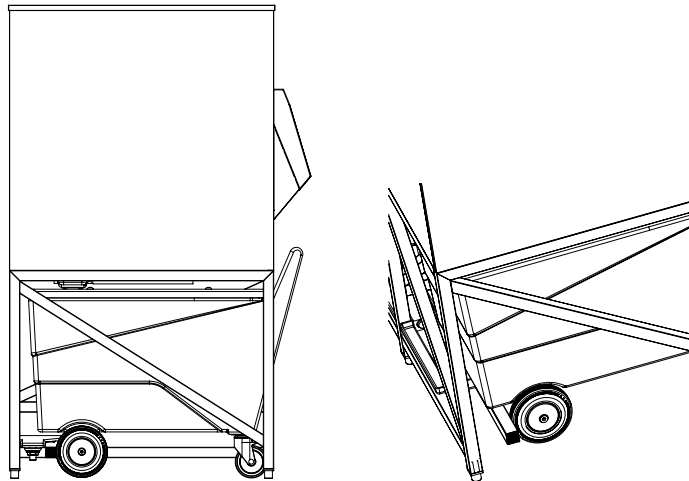
Il ghiaccio si accumula nel silo, dove rimane stoccato fino a quando avviene l'estrazione. L'estrazione avviene nella seguente sequenza:

1. Posizionare il carrello.
2. Rompere il ghiaccio.
3. Caricare il ghiaccio nel carrello.
4. Trasportare il ghiaccio.
5. Estrazione del ghiaccio.
6. Estrazione dell'acqua.

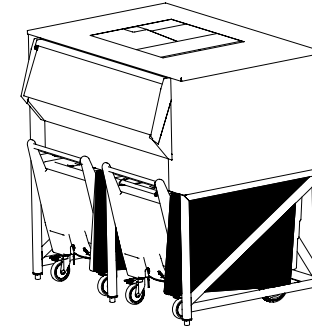
5.1 POSIZIONARE IL CARRELLO

Controllare innanzitutto che sia stato rimosso il coperchio del carrello.

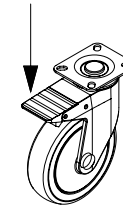
Una volta rimosso il coperchio, posizionare il carrello sotto il silo. Verificare che il carrello si fermi a fine corsa. Le ruote anteriori toccheranno un tubo, come mostrato nell'immagine.



Quindi posizionare il coperchio sul lato del silo, come indicato nella figura.



Quindi bloccare le ruote del carrello abbassando le leve delle ruote posteriori del carrello con i piedi.



5.2 ROMPERE E POSIZIONARE IL GHIACCIO

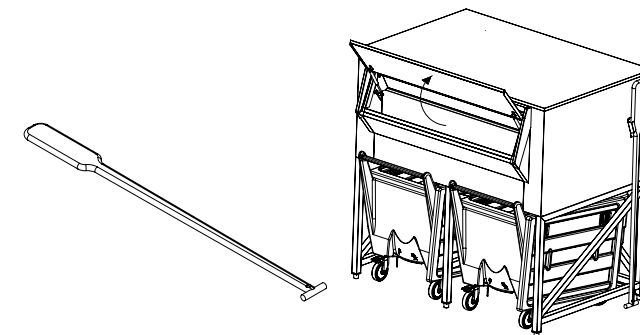
Se il ghiaccio rimane accumulato per molto tempo e si compatta, sarà necessario romperlo. Se rimane poco ghiaccio è necessario posizionarlo nello sportello.

1. Rompere il ghiaccio

Quando il ghiaccio rimane accumulato per molto tempo è possibile che si compatti. Colpire il ghiaccio con la paletta per smuoverlo.

2. Posizionare il ghiaccio

Quando rimane poco ghiaccio è possibile che non si trovi nella lunetta. In questo modo, quando la lunetta si apre non cadrà tutto il ghiaccio. Per farlo cedere tutto si usa la paletta lunga, posizionando il ghiaccio nella zona desiderata.

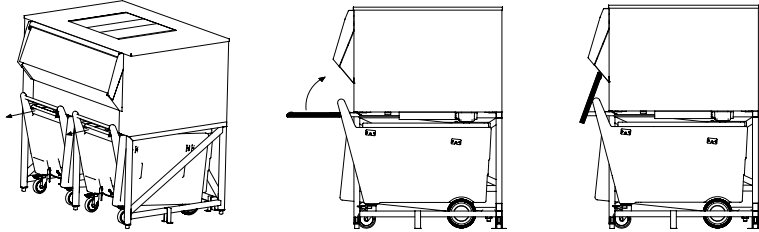


Per eseguire queste due azioni è necessario sollevare lo sportello anteriore del silo.

5.3 CARICARE IL GHIACCIO

Una volta sistemato il carrello sotto il silo in maniera corretta, tirare la maniglia del cassetto per estrarre la mezzaluna sino a fine corsa.

Una volta raggiunto il fine corsa, la maniglia dovrà essere girata e appoggiata sul silo. Il ghiaccio cadrà immediatamente nel carrello.

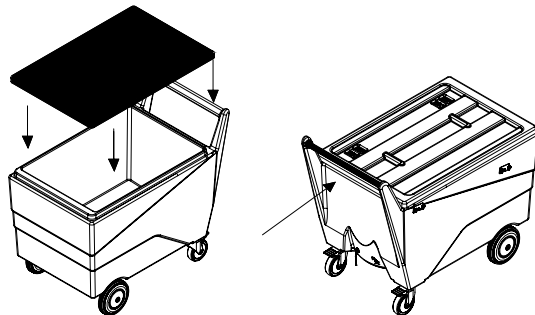


Quando si ritiene che il carrello sia abbastanza pieno, posizionare la mezzaluna nella posizione originale, chiudendo il passaggio al ghiaccio. Per farlo sarà necessario abbassare la maniglia e spingere la mezzaluna all'interno sino a fine corsa.

5.4 TRASPORTARE IL GHIACCIO

Per prima cosa è necessario azionare lo scarico del carrello azionando la leva situata nella parte inferiore e togliere il freno dalle ruote, alzandolo con il piede. È inoltre necessario chiudere lo scarico del carrello, situato nella parte inferiore del medesimo, per evitare che l'acqua esca durante gli spostamenti del carrello.

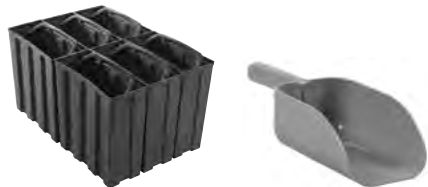
Estendere il manico del carrello e rimuovere il carrello dal silo.



Posizionare il coperchio del carrello per una migliore conservazione del ghiaccio durante il trasporto. Una volta posizionato il coperchio, il carrello è pronto per il trasporto del ghiaccio.

5.5 ESTRAZIONE DEL GHIACCIO

Una volta sistemato il carrello nella posizione necessaria, estrarre il ghiaccio con le palette o cesti consegnate assieme al silo.

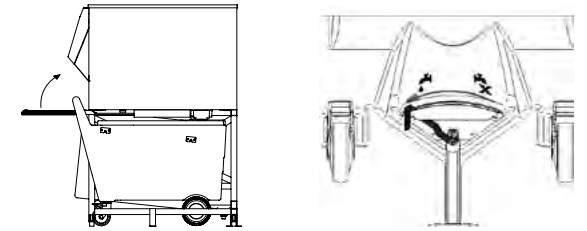


5.6 ESTRAZIONE DELL'ACQUA

Il carrello è dotato di uno scarico affinché l'acqua proveniente dal ghiaccio accumulato nel carrello non rimanga al suo interno, per una migliore conservazione del ghiaccio.

Per svuotare il carrello si consiglia di inserirlo sotto il silo.

Una volta posizionato il carrello, nella parte inferiore si trova una valvola manuale, che dovrà essere aperta per fare scorrere l'acqua, che si dirigerà nel vassoio di scarico inferiore del silo.



Si raccomanda di lasciare la leva in posizione "aperta", ovvero con lo scarico collegato, purché il carrello si trovi sotto il silo.

6| MANUTENZIONE E PULIZIA

ATTENZIONE: LE OPERAZIONI DI MANUTENZIONE E PULIZIA NONCHÉ I GUASTI DERIVANTI DALLA LORO OMISSIONE NON RIENTRANO NELLA GARANZIA.

Gli intervalli di manutenzione e pulizia dipendono dalle condizioni del locale di ubicazione, dalla qualità dell'acqua e dal tempo di utilizzo.

6.1 MANUTENZIONE

- Per mantenere una corretta igiene, questo silo di stoccaggio del ghiaccio **deve essere pulito con cadenza trimestrale** nella parte esterna e soprattutto interna, inclusa la parte inferiore del coperchio del silo.
- Il coperchio del silo presenta una parte anteriore smontabile che ne consente la rimozione per agevolare l'accesso per la pulizia interna.
- Quindi risciacquare con abbondante acqua. Si raccomanda l'utilizzo di un tubo a pressione.
- Nel caso in cui la manutenzione non venga effettuata periodicamente, lo sporco potrebbe accumularsi nel silo a livelli importanti e potrebbe avere inizio un processo di corrosione.

6.2 PULIZIA E MANUTENZIONE DELLA PARTE INTERNA DEL SILO

- La parte interna del silo deve essere pulita e disinfettata prima di ogni utilizzo e deve essere tenuta costantemente pulita durante l'uso.

- L'interno del silo è dotato di pareti rivestite di polietilene, che devono essere periodicamente pulite e disinfettate con un prodotto adatto per le superfici destinate a uso alimentare.

6.3 PULIZIA DEI CARRELLI

- La parte interna del carrello deve essere pulita e disinfettata con un prodotto consentito e deve essere tenuta costantemente pulita durante l'uso.

6.4 PULIZIA DELLE PARTI IN ACCIAIO INOSSIDABILE (SCOCCA E MEZZELUNE)

- Le superfici in acciaio inossidabile possono essere pulite con un prodotto detergente per acciaio inox.
- È necessario rimuovere subito la plastica protettiva dai mobili in acciaio inossidabile. In caso contrario, a lungo andare la plastica si scropolerà e si accumuleranno prodotti o grassi che possono danneggiare l'acciaio.
- Non usare detergenti abrasivi o pagliette di metallo NON ADATTE per l'acciaio inossidabile.
- Quando si usano prodotti per la pulizia dell'acciaio è sempre bene seguire le indicazioni del fabbricante. Risciacquare sempre con abbondante acqua e asciugare l'area trattata.

CONSIGLI DI PULIZIA:

- Tenere la paletta pulita e in buone condizioni per evitare la contaminazione del ghiaccio.
- Non utilizzare pagliette di metallo o prodotti abrasivi
- Seguire una direzione di pulizia (se del caso). Usare la paglietta con movimenti circolari può rovinare la superficie.
- Anche la formazione di residui di calcare, sale o unto, per citare alcuni esempi, possono causare corrosione
- Pulire regolarmente. È più facile eliminare le macchie prima che siano asciutte e possano rovinare l'acciaio inossidabile.
- Limitare al minimo l'uso di pagliette di metallo e usare tassativamente panni morbidi sulle superfici lucide.

PRODOTTI CHE NON DEVONO VENIRE A CONTATTO CON L'ACCIAIO INOSSIDABILE:

- La candeggina concentrata e/o calda.
- I prodotti disinfettanti concentrati o caldi.
- L'acido cloridrico (decapaggio delle piastrelle) anche se diluito o freddo.
- Spazzole e pagliette di metallo, in particolare se in acciaio.
- Qualsiasi prodotto corrosivo per l'acciaio o la plastica interna.

ICE STORAGE BIN WITH CAR_COD.31900V1_22E17
THE COMPANY RESERVES THE RIGHT TO CHANGE MODELS AND SPECIFICATIONS WITHOUT PRIOR NOTICE.